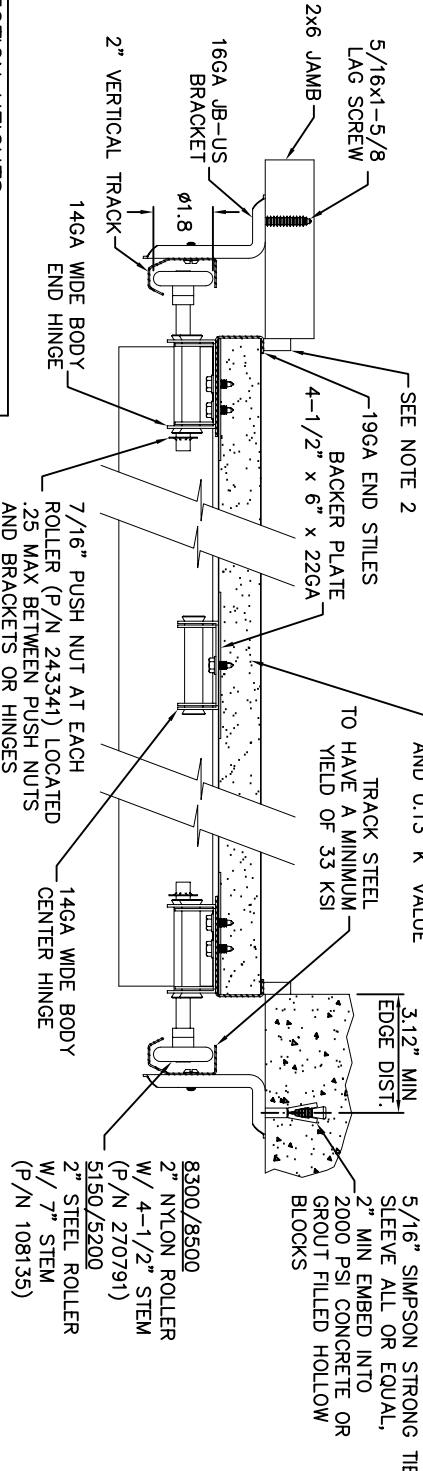


9'-0" MAX WIDTH

SECTION A-A

PART NO. 297211

NOTES:
 1. OPTIONAL - .080" (MIN) ALUMINUM LOUVERS WITH HIGH IMPACT STYRENE FRAME MAY BE LOCATED IN THE END PANELS OF THE BOTTOM SECTION TO MEET MINIMUM VENTILATION REQUIREMENTS.
 2. VINYL OR WOOD DOOR STOP (NAILED ON 6" CENTERS) MUST OVERLAP TOP & BOTTOM ENDS OF PANELS MINIMUM 7/16" TO MEET NEGATIVE PRESSURES.



SECTION B-B

DADE COUNTY USE ONLY

DOOR HEIGHT	U-BARS	SECTION HEIGHTS					TOP
		BOTTOM	#2	#3	#4	#5	
6'-0"	5	18"	18"	18"		18"	
6'-0"	4	24"	24"			24"	
6'-3"	5	20.8"	18"	18"		18"	
6'-6"	5	20.8"	18"	18"		20.8"	
6'-9"	5	20.8"	20.8"	18"		20.8"	
7'-0"	5	20.8"	20.8"	20.8"		20.8"	
7'-3"	5	24"	20.8"	20.8"		20.8"	
7'-6"	7	18"	18"	18"		18"	
7'-6"	5	24"	20.8"	20.8"		24"	
7'-9"	7	20.8"	18"	18"		18"	
7'-9"	5	24"	24"	24"		20.8"	
8'-0"	7	20.8"	18"	18"		20.8"	
8'-0"	5	24"	24"	24"		24"	
8'-3"	7	20.8"	20.8"	18"		20.8"	
8'-6"	7	20.8"	20.8"	18"		20.8"	
8'-8"	7	20.8"	20.8"	20.8"		20.8"	
9'-0"	7	24"	20.8"	20.8"		20.8"	
9'-3"	7	24"	20.8"	20.8"		24"	
9'-6"	7	24"	20.8"	20.8"		24"	
9'-9"	7	24"	24"	20.8"		24"	
10'-0"	7	24"	24"	24"		24"	
10'-3"	8	20.8"	20.8"	18"		20.8"	
10'-5"	8	20.8"	20.8"	20.8"		20.8"	
10'-8"	8	24"	20.8"	20.8"		20.8"	
11'-0"	8	24"	20.8"	20.8"		24"	
11'-3"	8	24"	20.8"	20.8"		24"	
11'-6"	8	24"	20.8"	20.8"		24"	
11'-9"	8	24"	24"	20.8"		24"	
12'-0"	8	24"	24"	24"		24"	

DOOR HEIGHT	U-BARS	SECTION HEIGHTS							TOP
		BOTTOM	#2	#3	#4	#5	#6	#7	
12'-2"	9	20.8"	20.8"	20.8"	20.8"	20.8"		20.8"	
12'-5"	9	24"	20.8"	20.8"	20.8"	20.8"		20.8"	
12'-8"	9	24"	24"	20.8"	20.8"	20.8"		20.8"	
13'-0"	9	24"	24"	20.8"	20.8"	20.8"		20.8"	
13'-3"	9	24"	24"	24"	20.8"	20.8"		20.8"	
13'-6"	9	24"	24"	24"	24"	20.8"		20.8"	
13'-9"	9	24"	24"	24"	24"	24"		20.8"	
14'-0"	9	24"	24"	24"	24"	24"		24"	
14'-2"	10	24"	20.8"	20.8"	20.8"	20.8"		20.8"	
14'-5"	10	24"	24"	20.8"	20.8"	20.8"		20.8"	
14'-8"	10	24"	24"	20.8"	20.8"	20.8"		20.8"	
15'-0"	10	24"	24"	24"	20.8"	20.8"		20.8"	
15'-3"	10	24"	24"	24"	20.8"	20.8"		20.8"	
15'-6"	10	24"	24"	24"	24"	20.8"		20.8"	
15'-9"	10	24"	24"	24"	24"	24"		20.8"	
16'-0"	10	24"	24"	24"	24"	24"		24"	

Approved: Mark R. Barrow, P.E.
 3395 ADDISON DRIVE PENSACOLA, FL 32514
 FLORIDA CERTIFICATION NO. 57389

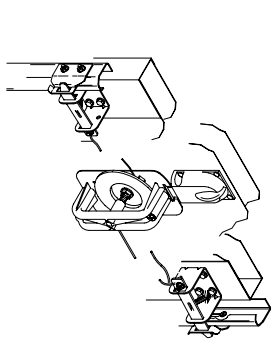
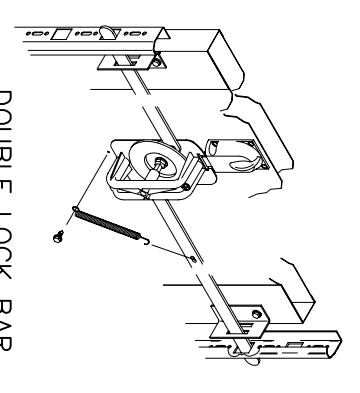
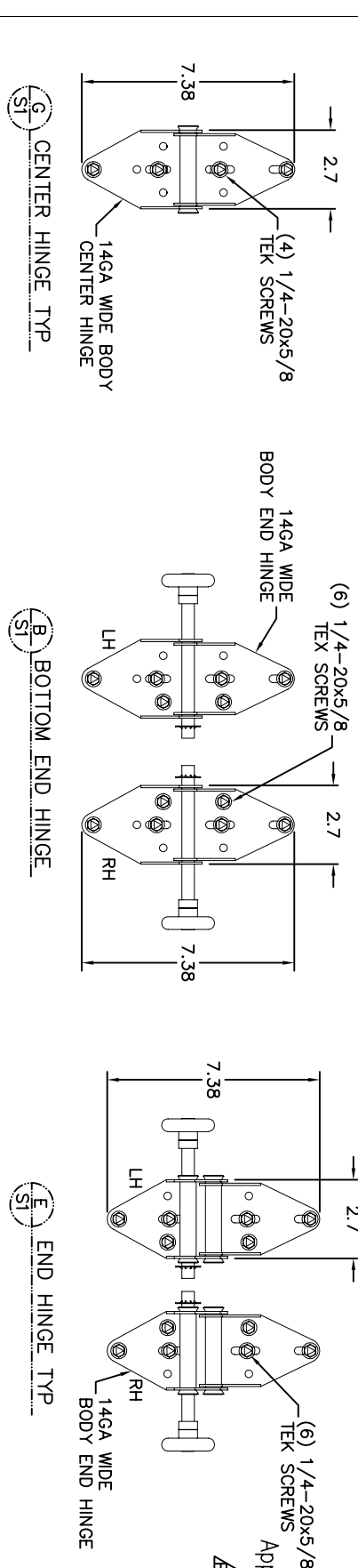
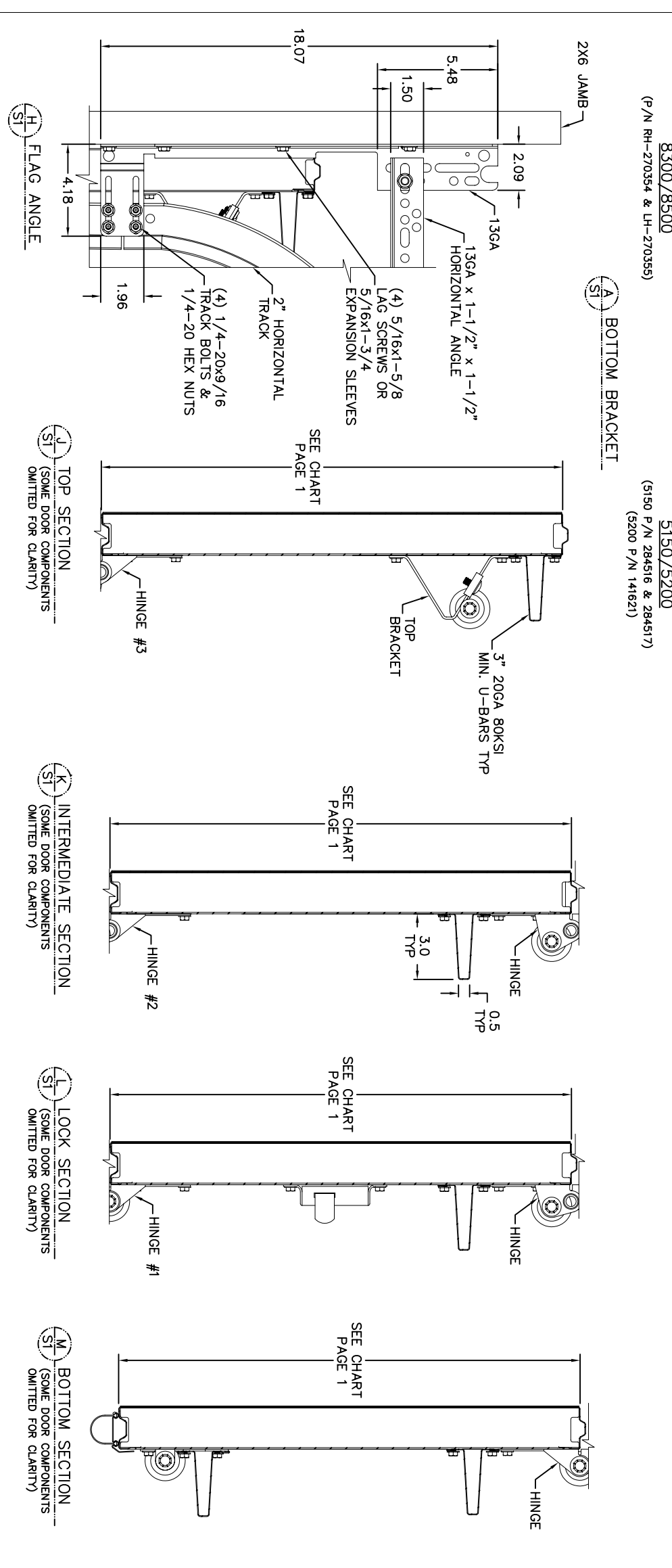
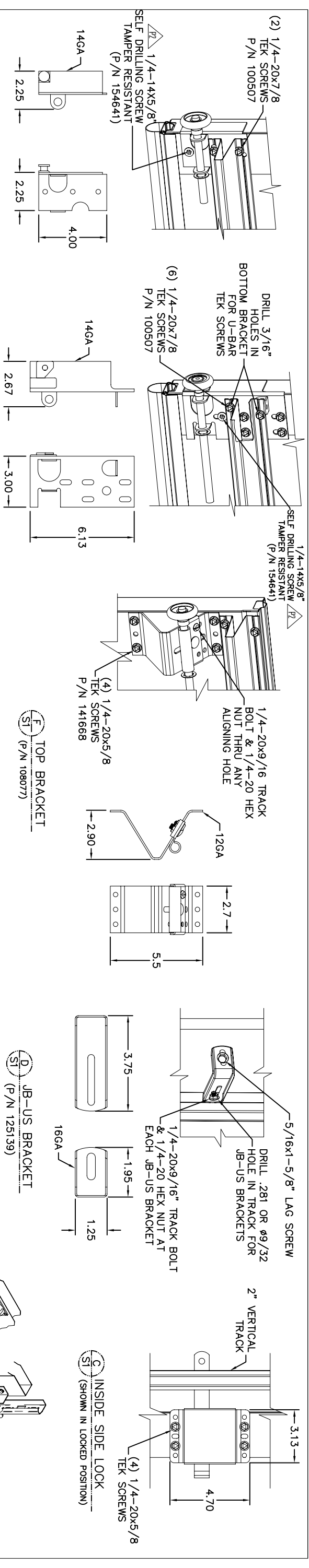
Date: _____

3395 ADDISON DRIVE
 PENSACOLA, FLORIDA 32514
 (850) 474-9890


PROJECT	8300/8500 & 5150/5200	DATE	9/5/2001	NAME	MDC
DESIGN PRESSURE:	+46.00/-52.00 PSF	CHECKED		WINDLOAD	VWMB300
OPTION CODE	C	APPR.		REV	
				SHEET 1 OF 2	
				0127	P3

ADD 1/4-14x5/8" SELF DRILLING SCREW TAMPER RESISTANT PER DCR W-0066 8/21/02 MAM


CARRY ALL PSF LEVELS TO THE SECOND PLACE PAST DECIMAL. BOTTOM ONLY: REMOVE ALL VERRIAGE; REPLACE ON ALL PAGES OF DRAWING WITH 8300/8500 & 5150/5200 DESIGN PRESSURE: +46.00/-52.00 PSF. PER DCR#0152 ADJ 9/23/03



DADE COUNTY USE ONLY

Approved:  Mark R. Barrow, P.E.
 3395 ADDISON DRIVE PENSACOLA, FL 32514
 FLORIDA CERTIFICATION NO. 57389

Date: _____

		3395 ADDISON DRIVE PENSACOLA, FLORIDA 32514 (850) 474-9890	
DESIGN PRESSURE: +46.00/-52.00 PSF	SIZE C	DATE 9/5/2001	NAME MDC
8300/8500 & 5150/5200	OPTION CODE	DRAWN	SHEET 2 OF 2
		CHECKED	PROJECT WINDLOAD WMK8300
		APPR.	REV
			0127 P3

PART NO.	297211
R & D RELEASE TO PRODUCT DATE	
ENGINEERING	
BY:	
CHANGES	
(A) ADD 1/4-14x5/8" SELF DRILLING SCREW TAMPER RESISTANT PER DCR W-0066 8/21/02 (B) CARRY ALL PSF LEVELS TO THE SECOND PLACE PAST DECIMAL. (C) BOTTOM ONLY: REMOVE ALL VERBIAGE; REPLACE DRAWING PAGES OF *8300/8500 & *5150/5200 DESIGN PRESSURE: +46.00/-52.00 PSF. PER DCR#0152 ADJ 9/23/03	