

MODEL DESIGNATION: Simonton Double Hung Series 07-09 / 07-10 / 07-20 Vinyl Impact Window

MAXIMUM OVERALL NOMINAL SIZE: Twin up to 75" x 76"

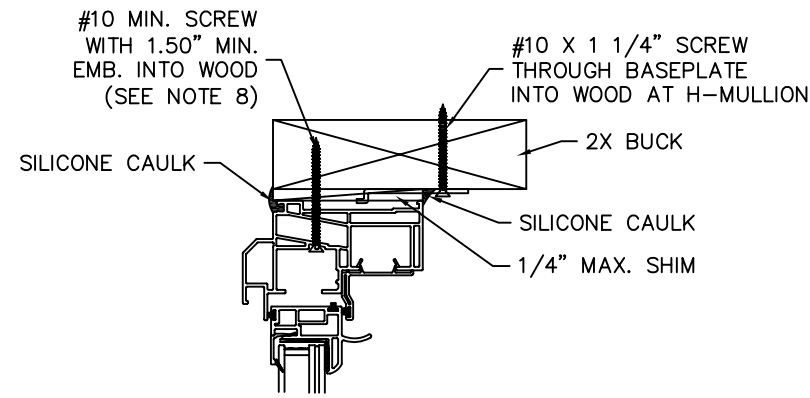
DESIGN PRESSURE RATING: Positive: 65.0 PSF
Negative: 65.0 PSF

USABLE CONFIGURATIONS: XX
XX

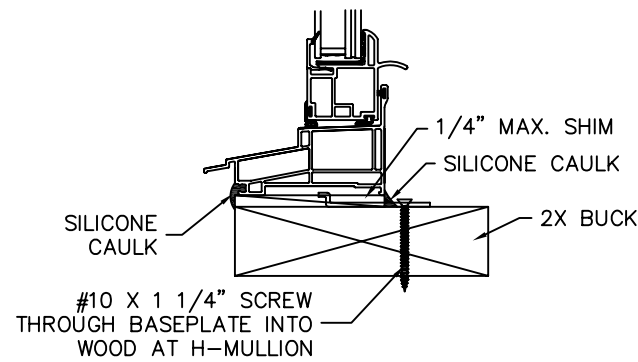
GENERAL DESCRIPTION: The head, sill, and side jambs are extruded PVC. The wall thickness through which the anchor screw penetrates is a minimum of 0.070".

NO P.E. SEAL REQUIRED
INSTALLATION SUPPORTED
BY AAMA TEST REPORTS

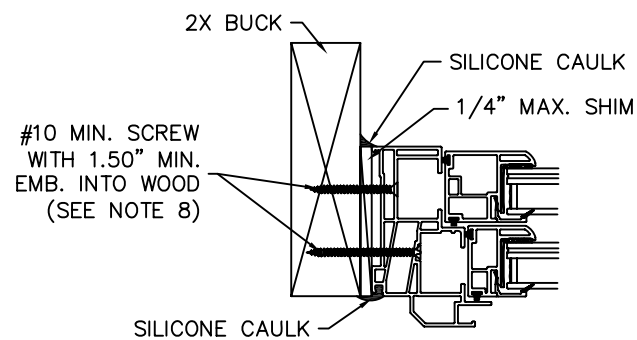
REV. #	REVISIONS:	REVISED BY:	DATE:
3	CHANGED H-MULLION FROM MEDIUM TO LARGE PER TEST REPORT #97379.01.	T.D.D.	10/26/10
4	ADDED DASHED BOXES FOR PRE-DRILLED INSTALLATION HOLES.	T.D.D.	11/04/10
5	UPDATED NOTE 8 WITH EXTERIOR BALANCE TRACK INFORMATION.	T.D.D.	01/18/11
6	ADDED GLAZING DETAILS AND FLASHING NOTES.	T.D.D.	03/01/11
7	UPDATED ANCHORAGE DETAILS.	T.D.D.	10/10/11



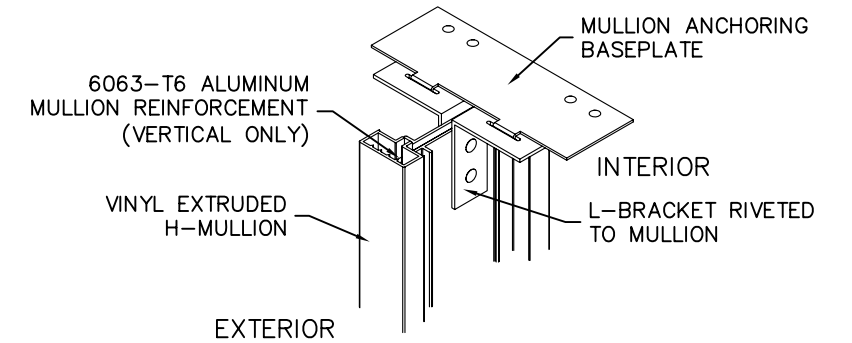
1 HEAD
1 4X SCALE



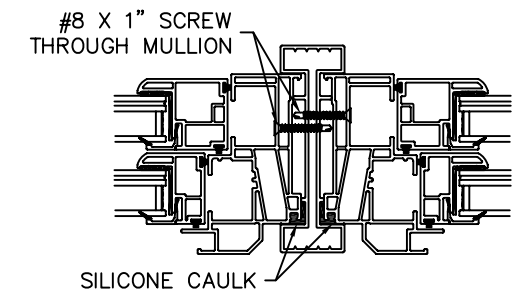
1 SILL
2 4X SCALE



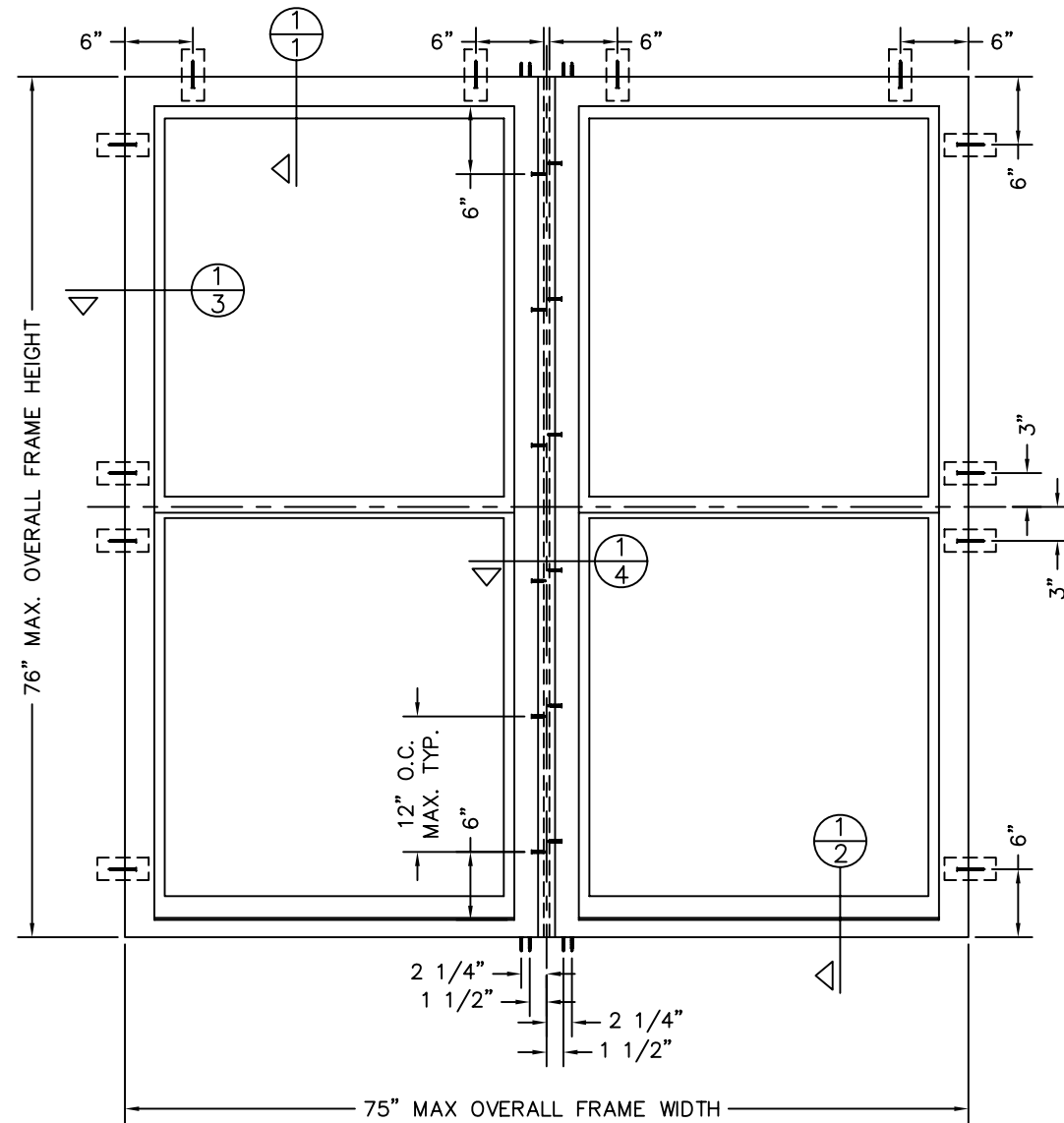
1 JAMB
3 4X SCALE



MULLION DETAIL



1 H-MULLION
4 4X SCALE



--- INSTALLATION HOLE PRE-DRILLED
BY MANUFACTURER

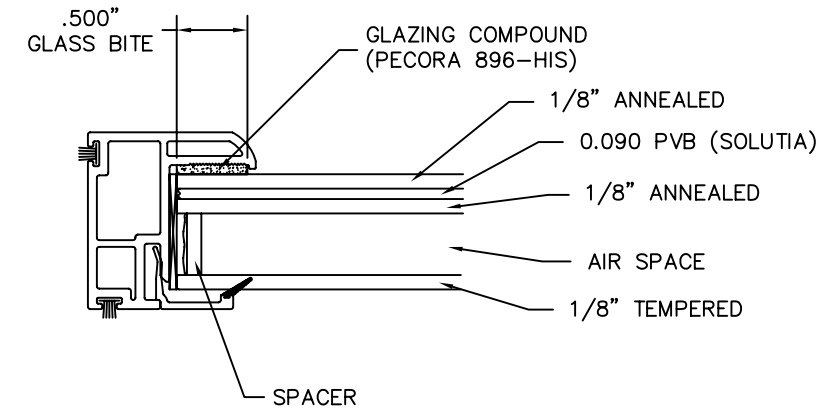
DISCLOSURE STATEMENT		MATERIAL:		Dimensional Tolerances Unless Otherwise Specified		SIMONTON® WINDOWS		SIZE: DRAWING NO.:	REV.:	
This document is the property of Simonton Windows, which retains all proprietary and other rights to its subject matter. This document is provided to the recipient on the expressed condition that it is not to be disclosed, reproduced in whole or part, nor used in conjunction with the design, manufacture or repair of goods for anyone other than Simonton Windows without its consent. This restriction does not limit the recipient's rights to utilize information contained in this document which is properly obtained from another source.		RMS FINISH:	EXCEPT AS NOTED		Decimals		1 Cochrane Avenue		B IN0373	7
		ALLOY & TEMPER:			Angles		Pennsboro, WV 26415		DRAWN BY:	DATE:
		WEIGHT:	VOLUME:		.X ± .03		CHECKED BY:		T.D.D.	11/17/08
		SURFACE AREA:	PERIMETER:		.XX ± .01		APPRV'D BY:		DATE:	
		FINISH TREATMENT:			.XXX ± .005		SHEET:		1 of 2	
FILE: IN0373					SCALE:		FIT		SERIES:	
					SHEET:		1 of 2		07-09 / 07-10 / 07-20 IMPACT TWIN DH (H-MULLED)	
					TITLE:		2X BUCK INSTALLATION (AS TESTED)			

MODEL DESIGNATION: Simonton Double Hung Series 07-09 / 07-10 / 07-20 Vinyl Impact Window
MAXIMUM OVERALL NOMINAL SIZE: Twin up to 74.5" x 76"
DESIGN PRESSURE RATING: Positive: 65.0 PSF
 Negative: 65.0 PSF
USABLE CONFIGURATIONS: XX
 XX
GENERAL DESCRIPTION: The head, sill, and side jambs are extruded PVC. The wall thickness through which the anchor screw penetrates is a minimum of 0.070".

REV. #:	REVISIONS:	REVISED BY:	DATE:
3	CHANGED H-MULLION FROM MEDIUM TO LARGE PER TEST REPORT #97379.01.	T.D.D.	10/26/10
4	ADDED DASHED BOXES FOR PRE-DRILLED INSTALLATION HOLES.	T.D.D.	11/04/10
5	UPDATED NOTE 8 WITH EXTERIOR BALANCE TRACK INFORMATION.	T.D.D.	01/18/11
6	ADDED GLAZING DETAILS AND FLASHING NOTES.	T.D.D.	03/01/11
7	UPDATED ANCHORAGE DETAILS.	T.D.D.	10/10/11

NOTES:

- This installation has been evaluated for use in locations adhering to the Florida Building Code and where design pressure requirements as determined by ASCE 7 Minimum Design Loads for Buildings and Other Structures do not exceed the design pressure ratings listed herein.
- All interior and exterior perimeter surfaces of the window must be caulked.
- Anchors shall be specified and spaced as shown. Anchor embedment into base material shall be beyond wall dressing or stucco and into wood or concrete.
- Wood bucks (by others) must be engineered and anchored properly to transfer loads to the structure.
- The responsibility for selection of Simonton products to meet any applicable local laws, building codes, ordinances, or other safety requirements rests solely with the architect, building owner, or contractor.
- Shims are optional. Max. shim stack is 1/4".
- Screws should be a minimum of 3/4" from the edge of the wood.
- If 2" x 4" bucks are used, anchor screws may be inserted through the interior track. Anchor screws used in exterior balance track should be flush with the vinyl.
- When used in areas requiring impact protection, this product DOES NOT REQUIRE the use of impact resistant shutters or other external protection.
- Quantity of anchors attaching the jamb to the mullion will vary depending on the height of the unit. Distance between anchors must not exceed 12 inches on center.
- Flashing should be applied using the ASTM E 2112 methodology appropriate for the opening into which the window is being installed.



1" INSULATED TEMPERED/ANNEALED IMPACT GLASS WITH 0.090" PVB INTERLAYER

<p align="center">DISCLOSURE STATEMENT</p> <p>This document is the property of Simonton Windows, which retains all proprietary and other rights to its subject matter. This document is provided to the recipient on the expressed condition that it is not to be disclosed, reproduced in whole or part, nor used in conjunction with the design, manufacture or repair of goods for anyone other than Simonton Windows without its consent. This restriction does not limit the recipient's rights to utilize information contained in this document which is properly obtained from another source.</p> <p>FILE: IN0373</p>	<p>MATERIAL:</p>	<p align="center">Dimensional Tolerances Unless Otherwise Specified</p> <p>Decimals Angles</p> <p>.X ± .03 0° 30 min.</p> <p>.XX ± .01</p> <p>.XXX ± .005</p>	<p>SIMONTON® W I N D O W S</p> <p>1 Cochrane Avenue Pennsboro, WV 26415</p>	<p>SIZE: DRAWING NO.: B IN0373</p>	<p>REV.: 7</p>
	<p>RMS FINISH: EXCEPT AS NOTED</p>			<p>DRAWN BY: DATE: T.D.D. 11/17/08</p>	
	<p>ALLOY & TEMPER:</p>			<p>CHECKED BY: DATE:</p>	
	<p>WEIGHT: VOLUME:</p>			<p>APPRV'D BY: DATE:</p>	
	<p>SURFACE AREA: PERIMETER:</p>			<p>SERIES: 07-09 / 07-10 / 07-20 IMPACT TWIN DH (H-MULLED)</p>	
<p>FINISH TREATMENT:</p>	<p>TITLE: NOTES & GLAZING DETAILS</p>	<p>SCALE: SHEET: FIT 2 of 2</p>	<p>TITLE: NOTES & GLAZING DETAILS</p>		