

MODEL DESIGNATION: Simonton Double Hung Series 07-09 / 07-10 / 07-20 Vinyl Impact Window

MAXIMUM OVERALL NOMINAL SIZE: See Size Chart

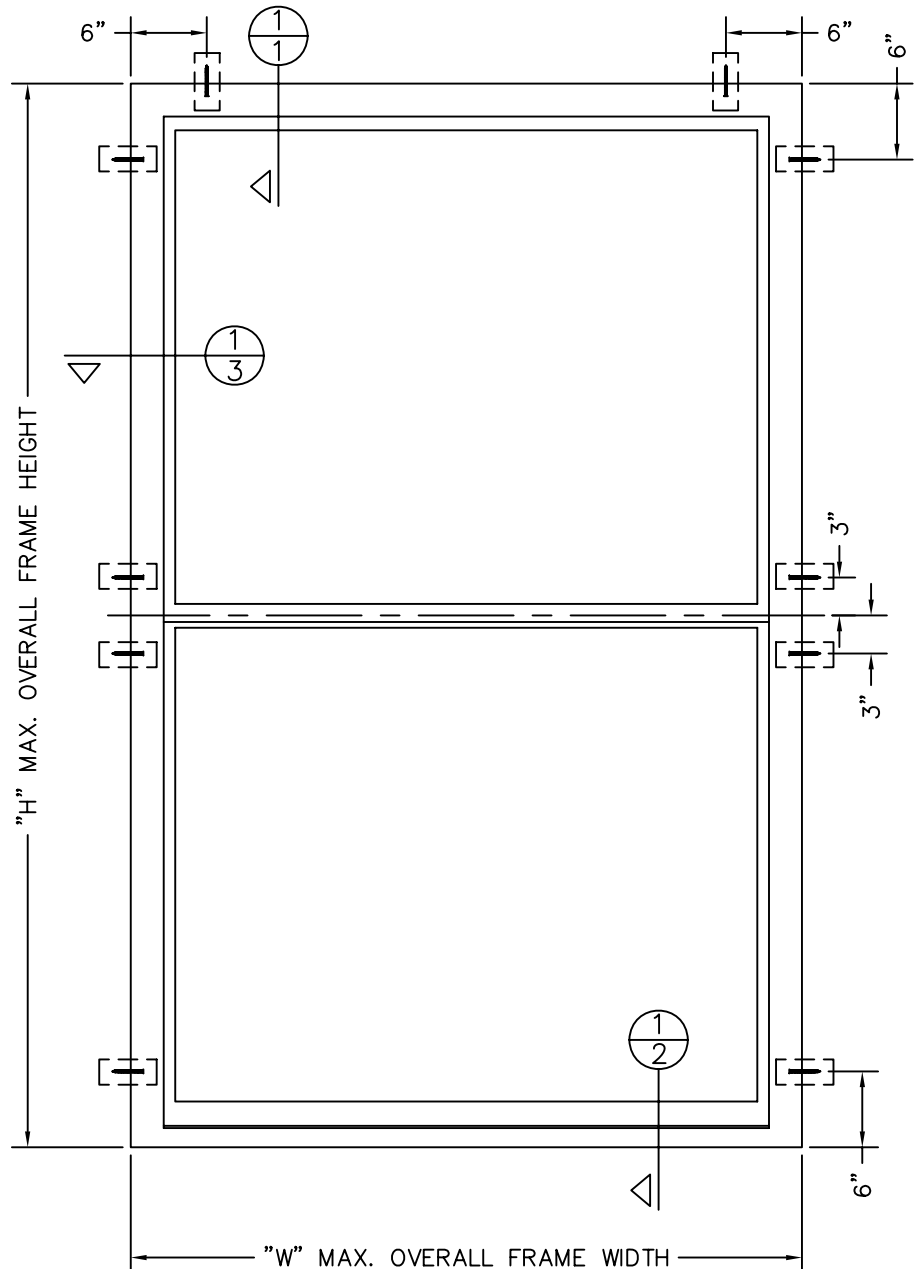
DESIGN PRESSURE RATING: See Size Chart

USABLE CONFIGURATIONS: $\frac{X}{X}$

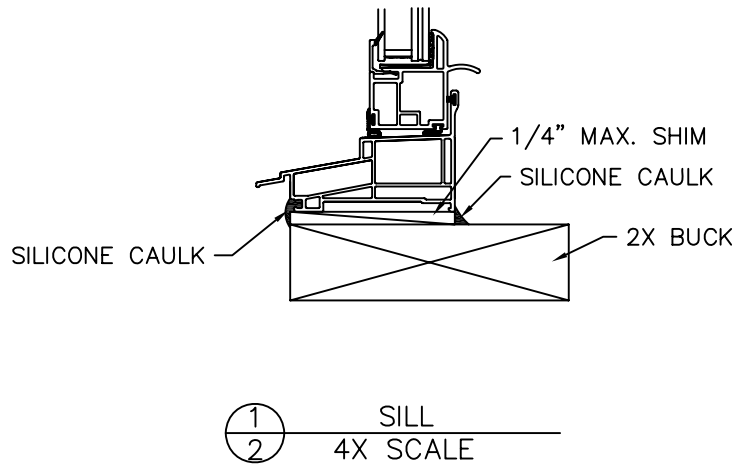
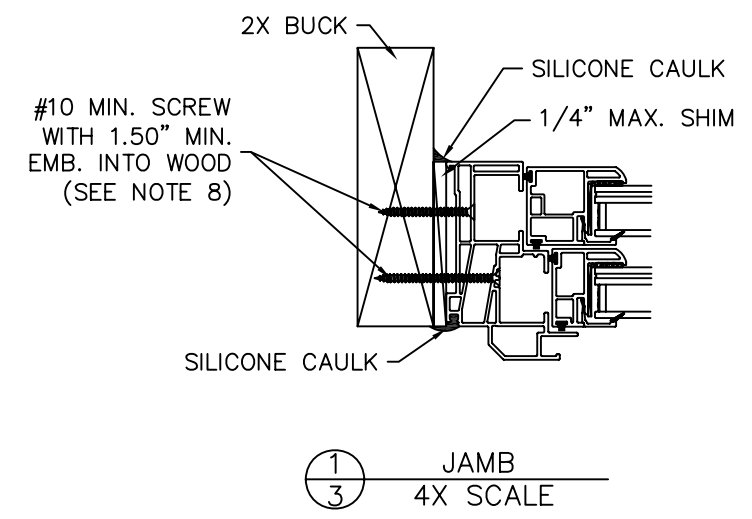
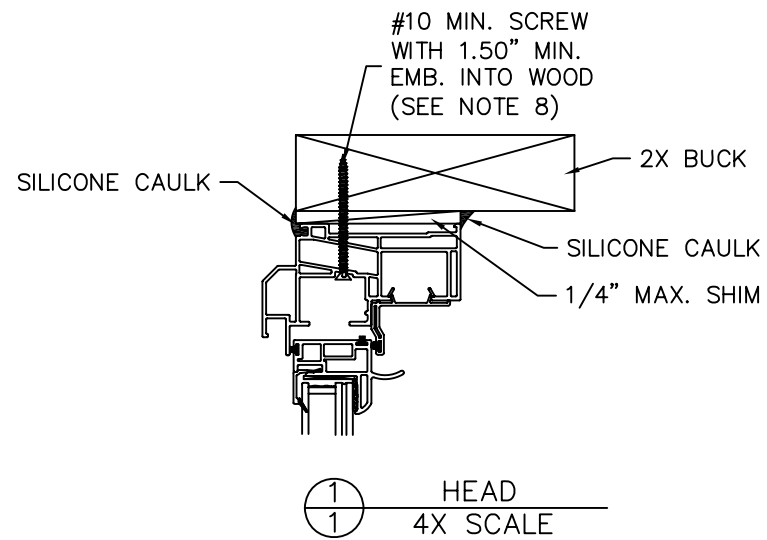
GENERAL DESCRIPTION: The head, sill, and side jambs are extruded PVC. The wall thickness through which the anchor screw penetrates is a minimum of 0.070".

NO P.E. SEAL REQUIRED
INSTALLATION SUPPORTED
BY AAMA TEST REPORTS

REV. #	REVISIONS:	REVISED BY:	DATE:
1	UPDATED GENERAL DESCRIPTION, NOTES AND SIZE CHART.	T.D.D.	02/09/10
2	ADDED 37 x 76 PER TEST REPORT #95262.02.	T.D.D.	10/26/10
3	ADDED DASHED BOXES FOR PRE-DRILLED INSTALLATION HOLES.	T.D.D.	11/04/10
4	ADDED GLAZING DETAILS AND FLASHING NOTE.	T.D.D.	02/24/11



OVERALL SIZE		DP RATING
WIDTH "W"	HEIGHT "H"	
53"	76"	±50 PSF
37"	84"	±60 PSF
37"	76"	±65 PSF



[] INSTALLATION HOLE PRE-DRILLED BY MANUFACTURER

DISCLOSURE STATEMENT
This document is the property of Simonton Windows, which retains all proprietary and other rights to its subject matter. This document is provided to the recipient on the expressed condition that it is not to be disclosed, reproduced in whole or part, nor used in conjunction with the design, manufacture or repair of goods for anyone other than Simonton Windows without its consent. This restriction does not limit the recipient's rights to utilize information contained in this document which is properly obtained from another source.

MATERIAL:
RMS FINISH: EXCEPT AS NOTED
ALLOY & TEMPER:
WEIGHT: VOLUME:
SURFACE AREA: PERIMETER:
FINISH TREATMENT:

Dimensional Tolerances Unless Otherwise Specified
Decimals Angles
.X ± .03
.XX ± .01
.XXX ± .005
0° 30 min.

SIMONTON WINDOWS
1 Cochrane Avenue
Pennsboro, WV 26415

SCALE: FIT SHEET: 1 of 2
SERIES: 07-09 / 07-10 / 07-20 IMPACT DOUBLE HUNG
TITLE: 2X BUCK INSTALLATION (AS TESTED)

SIZE: DRAWING NO.: REV.:
B INO364 4
DRAWN BY: DATE: 11/13/08
CHECKED BY: DATE:
APPRV'D BY: DATE:

MODEL DESIGNATION: Simonton Double Hung Series 07-09 / 07-10 / 07-20 Vinyl Impact Window

MAXIMUM OVERALL NOMINAL SIZE: See Size Chart

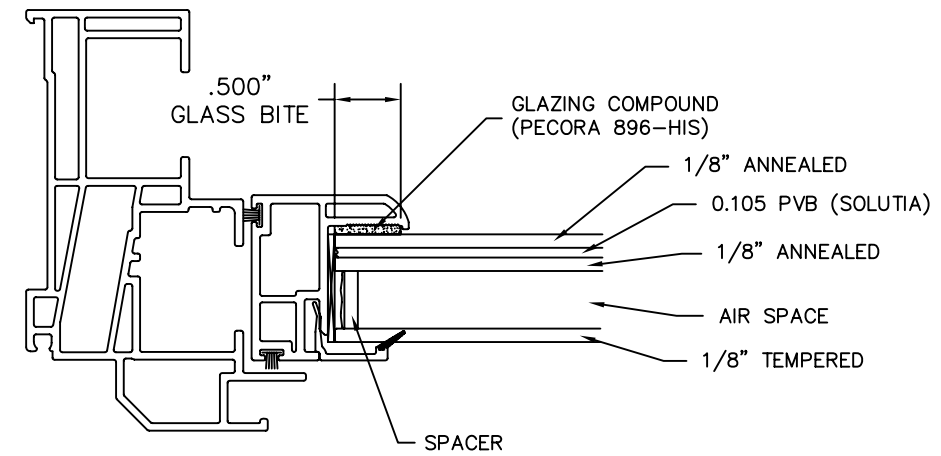
DESIGN PRESSURE RATING: See Size Chart

USABLE CONFIGURATIONS: X
X

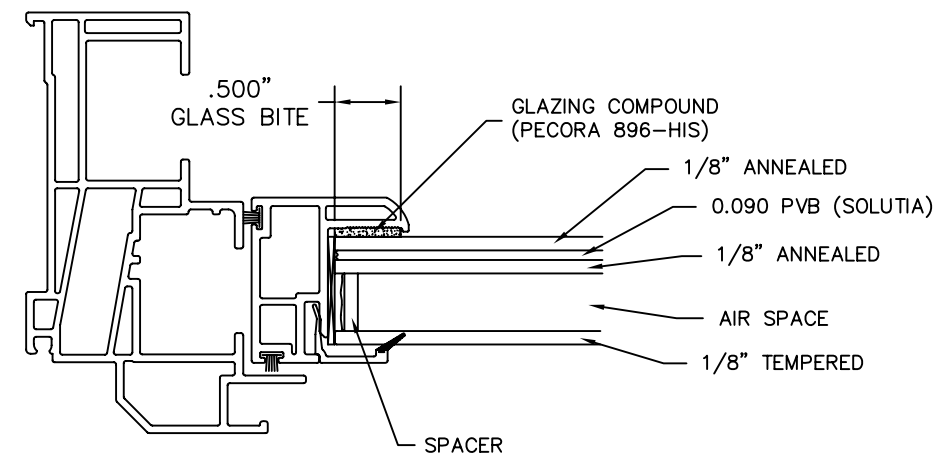
GENERAL DESCRIPTION: The head, sill, and side jambs are extruded PVC. The wall thickness through which the anchor screw penetrates is a minimum of 0.070".

REV. #	REVISIONS:	REVISED BY:	DATE:
1	UPDATED GENERAL DESCRIPTION, NOTES AND SIZE CHART.	T.D.D.	02/09/10
2	ADDED 37 x 76 PER TEST REPORT #95262.02.	T.D.D.	10/26/10
3	ADDED DASHED BOXES FOR PRE-DRILLED INSTALLATION HOLES.	T.D.D.	11/04/10
4	ADDED GLAZING DETAILS AND FLASHING NOTE.	T.D.D.	02/24/11

- NOTES:**
1. This installation has been evaluated for use in locations adhering to the Florida Building Code and where design pressure requirements as determined by ASCE 7 Minimum Design Loads for Buildings and Other Structures do not exceed the design pressure ratings listed herein.
 2. All interior and exterior perimeter surfaces of the window must be caulked.
 3. Anchors shall be specified and spaced as shown. Anchor embedment into base material shall be beyond wall dressing or stucco and into wood or concrete.
 4. Wood bucks (by others) must be engineered and anchored properly to transfer loads to the structure.
 5. The responsibility for selection of Simonton products to meet any applicable local laws, building codes, ordinances, or other safety requirements rests solely with the architect, building owner, or contractor.
 6. Shims are optional. Max. shim stack is 1/4".
 7. Screws should be a minimum of 3/4" from the edge of the wood.
 8. If 2 x 4 bucks are used, anchor screws may be inserted through the interior track. Anchor head should be flush with vinyl in exterior balance track.
 9. When used in areas requiring impact protection, this product DOES NOT REQUIRE the use of impact resistant shutters or other external protection.
 10. Flashing should be applied according to the ASTM E 2112 methodology appropriate for the opening into which the window is being installed.



**1" INSULATED TEMPERED/ANNEALED IMPACT GLASS
WITH 0.105" PVB INTERLAYER
53" X 76" DOUBLE HUNG**



**1" INSULATED TEMPERED/ANNEALED IMPACT GLASS
WITH 0.090" PVB INTERLAYER
37" X 76" AND 37" X 84" DOUBLE HUNG**

<p align="center">DISCLOSURE STATEMENT</p> <p>This document is the property of Simonton Windows, which retains all proprietary and other rights to its subject matter. This document is provided to the recipient on the expressed condition that it is not to be disclosed, reproduced in whole or part, nor used in conjunction with the design, manufacture or repair of goods for anyone other than Simonton Windows without its consent. This restriction does not limit the recipient's rights to utilize information contained in this document which is properly obtained from another source.</p> <p>FILE: IN0364</p>	<p>MATERIAL:</p> <p>RMS FINISH: EXCEPT AS NOTED</p> <p>ALLOY & TEMPER:</p> <p>WEIGHT: VOLUME:</p> <p>SURFACE AREA: PERIMETER:</p> <p>FINISH TREATMENT:</p>	<p align="center">Dimensional Tolerances Unless Otherwise Specified</p> <p>Decimals Angles</p> <p>.X ± .03 0° 30 min.</p> <p>.XX ± .01</p> <p>.XXX ± .005</p>	<p align="center">SIMONTON® W I N D O W S</p> <p>1 Cochrane Avenue Pennsboro, WV 26415</p> <p>SCALE: FIT SHEET: 2 of 2</p> <p>SERIES: 07-09 / 07-10 / 07-20 IMPACT DOUBLE HUNG</p> <p>TITLE: NOTES & GLAZING DETAILS</p>	<p>SIZE: DRAWING NO.: REV.:</p> <p>B IN0364 4</p> <p>DRAWN BY: DATE:</p> <p>T.D.D. 11/13/08</p> <p>CHECKED BY: DATE:</p> <p>APPRV'D BY: DATE:</p>
---	---	---	--	---