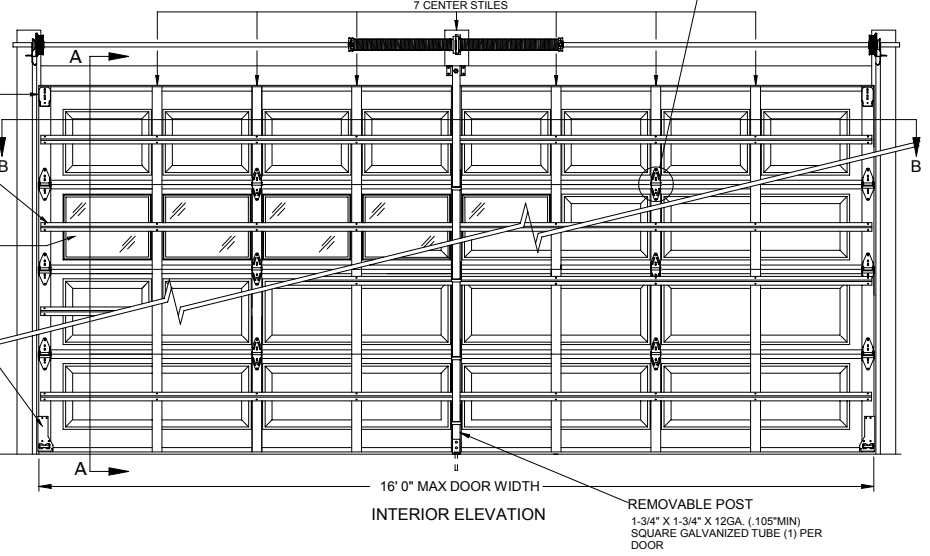
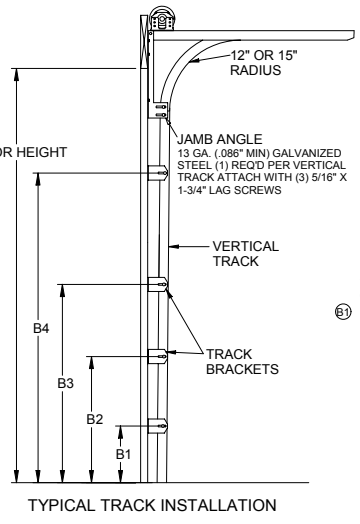


DOOR HEIGHT	B1	B2	B3	B4
6'-6"	12"	30"	48"	57"
6'-8"	12"	30"	48"	59"
6'-9"	12"	30"	48"	60"
7'-0"	12"	30"	48"	63"
7'-6"	12"	30"	48"	69"
8'-0"	12"	30"	48"	75"

DOOR HEIGHT	TOP SECTION	INTERMEDIATE SECTION	INTERMEDIATE SECTION	INTERMEDIATE SECTION	BOTTOM SECTION
6'-6"	19 1/2"	19 1/2"	19 1/2"	-----	19 1/2"
6'-8"	19 1/16"	19 1/16"	19 1/16"	-----	22 1/2"
6'-9"	22 1/2"	19 1/2"	19 1/2"	-----	19 1/2"
7'-0"	22 1/2"	19 1/2"	19 1/2"	-----	22 1/2"
7'-6"	22 1/2"	22 1/2"	22 1/2"	-----	22 1/2"
8'-0"	19 1/16"	19 1/16"	19 1/16"	19 1/16"	19 1/16"



**DOORS TESTED PER ANSI/DASMA 108**

QTY OF CENTER STILES	CHARLESTON, CLASSIC, DECADE					
	NO GLASS		COLONIAL GLASS		RANCH GLASS	
	PSF RATING	TEST	PSF RATING	TEST	PSF RATING	TEST
7	+47.3	+71.0	+47.3	+71.0	N/A	N/A
	-47.3	-71.0	-47.3	-71.0		

REV.	DESCRIPTION	ECO	DATE	ECO
B	1) ADDED GLASS TYPE, 2) WAS ASTM 330	4964	08/30/05	
A	RELEASED FOR PRODUCTION	4719	07/13/04	

SCALE: FULL  
 DRAWN BY: M. McCormick  
 CHECKED BY: G. Wedekind  
 DATE: 07/13/04  
 ECO: 4719

**RAYNOR**  
 1101 EAST RIVER ROAD  
 DIXON, IL 61021

TITLE: SPEC. WINDLOAD CHARLESTON/CLASSIC/ DECADE 16' WIDE

NO. P-2377

SHEET 1 OF 1  
 REV B