



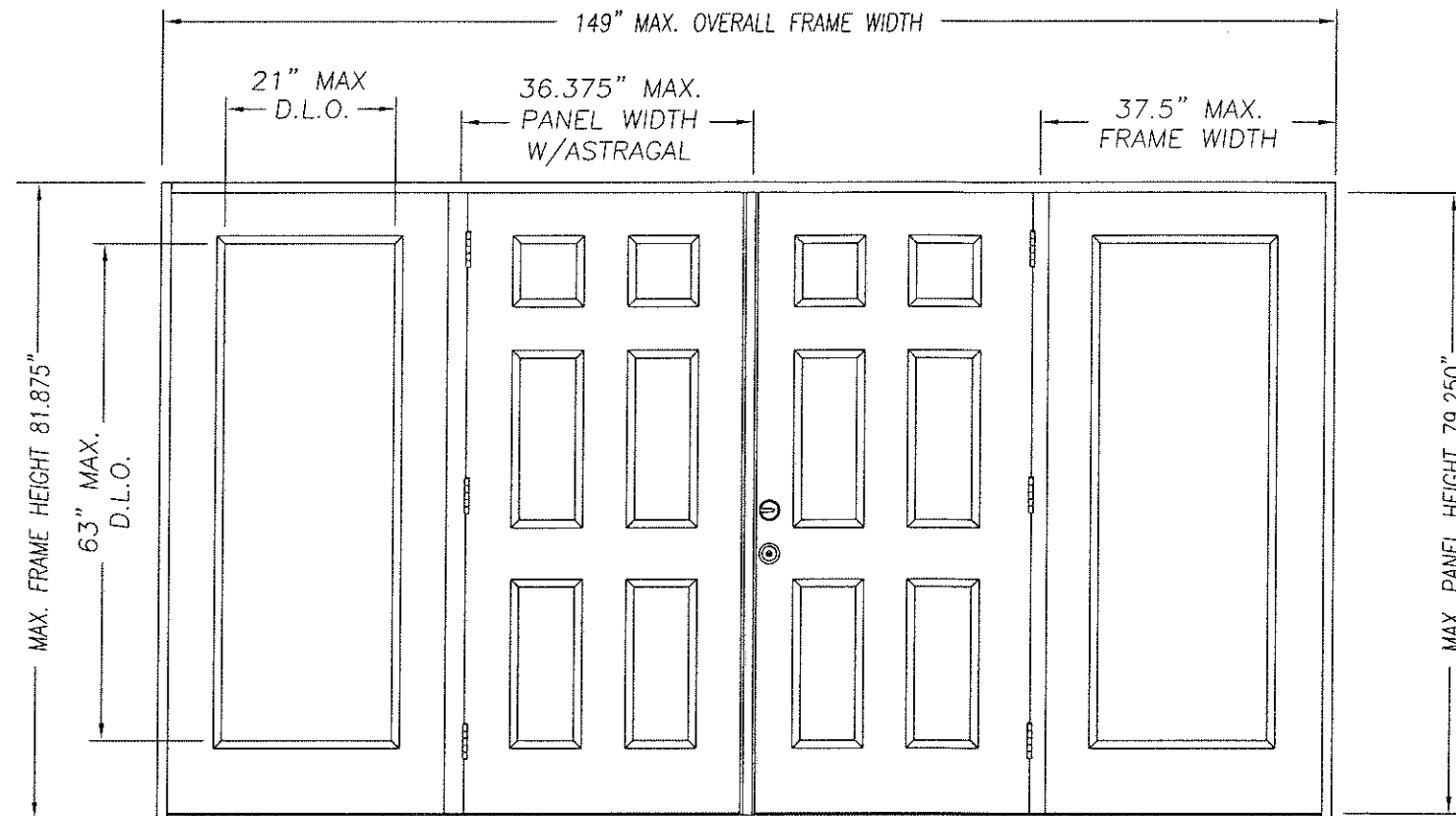
**SIDE-HINGED WOOD-EDGE STEEL DOOR UNIT  
6'-8" DOUBLE DOOR WITH / WITHOUT SIDELITES**

GENERAL NOTES

- EVALUATED FOR USE IN LOCATIONS ADHERING TO THE FLORIDA BUILDING CODE AND WHERE PRESSURE REQUIREMENTS AS DETERMINED BY ASCE 7, MINIMUM DESIGN LOADS FOR BUILDINGS AND OTHER STRUCTURES, DOES NOT EXCEED THE DESIGN PRESSURES LISTED.
- HURRICANE PROTECTIVE SYSTEM (SHUTTERS) IS NOT REQUIRED ON OPAQUE PANELS, BUT IS REQUIRED ON GLAZED SIDELITES.
- IN THE HVHZ, FACTORY PRIMED DOORS MUST BE PAINTED IN ACCORDANCE WITH SECTION 2220 OF THE FBC.
- POLYURETHANE CORE FLAME SPREAD INDEX OF 50 AND SMOKE DEVELOPED INDEX OF 60 PER ASTM E84.
- PLASTICS TESTING OF LITE FRAME MATERIAL:

TEST DESCRIPTION	DESIGNATION	RESULT
SELF IGNITION TEMP	ASTM D1929	740 °F > 650 °F
RATE OF BURNING	ASTM D635	0.77 IN/MIN
SMOKE DENSITY	ASTM D2843	13.4%
TENSILE STRENGTH*	ASTM D638	7.50% DIFF

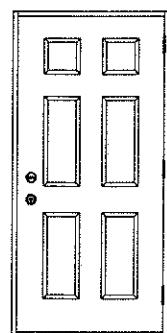
\* COMPARATIVE TENSILE STRENGTH AFTER WEATHERING 4500 HOURS XENON ARC METHOD 1



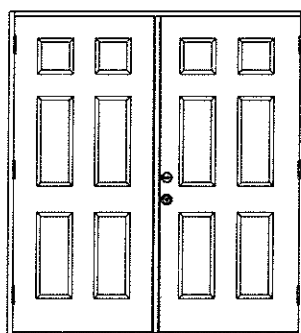
DOUBLE DOOR UNIT W/SIDELITES

Addendum to NAMI

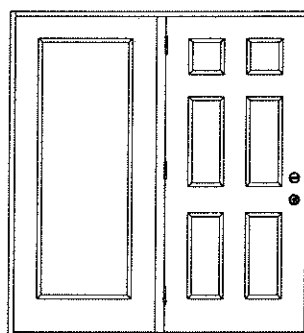
Certification No.: N1006110-R4  
 Reviewed By: [Signature]  
 Date Reviewed: 3/4/12



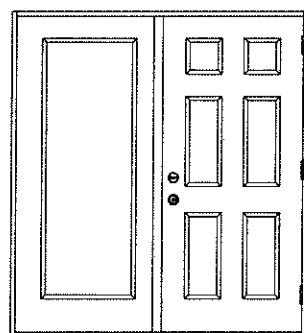
SINGLE DOOR UNIT



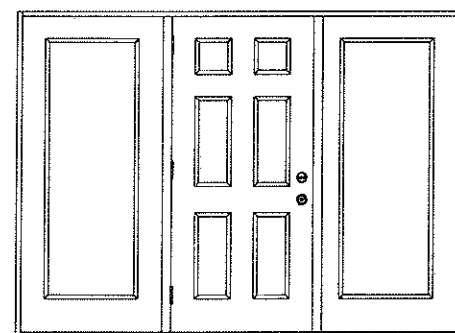
DOUBLE DOOR UNIT



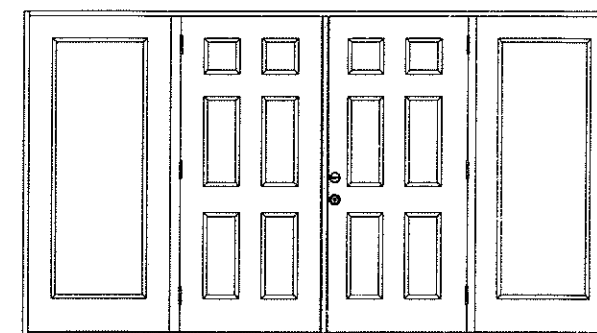
SINGLE DOOR UNIT WITH SIDELITE



SINGLE DOOR UNIT WITH SIDELITE



SINGLE DOOR UNIT W/SIDELITES



DOUBLE DOOR UNIT W/SIDELITES

TABLE OF CONTENTS	
SHEET #	DESCRIPTION
1	TYPICAL ELEVATIONS & GENERAL NOTES
2	ANCHORING LOCATIONS & DETAILS
3	ANCHORING LOCATIONS & DETAILS

CONFIG	MAX WIDTH	DESIGN PRESSURE RATING			
		INSWING		OUTSWING	
X	37.5"	+76.0 / -76.0	+76.0 / -76.0	+19.0 / -19.0	+55.0 / -55.0
XX	74"	+55.0 / -55.0	+55.0 / -55.0	+19.0 / -19.0	+55.0 / -55.0
OX or XO	75"	+55.0 / -55.0	+55.0 / -55.0	+19.0 / -19.0	+55.0 / -55.0
OXO	112.5"	+55.0 / -55.0	+55.0 / -55.0	+19.0 / -19.0	+55.0 / -55.0
OXXO	149"	+55.0 / -55.0	+55.0 / -55.0	+19.0 / -19.0	+55.0 / -55.0

WHERE WATER INFILTRATION PERFORMANCE IS REQUIRED TO BE 15% OF DESIGN PRESSURE

*Kt 1 Bathy*

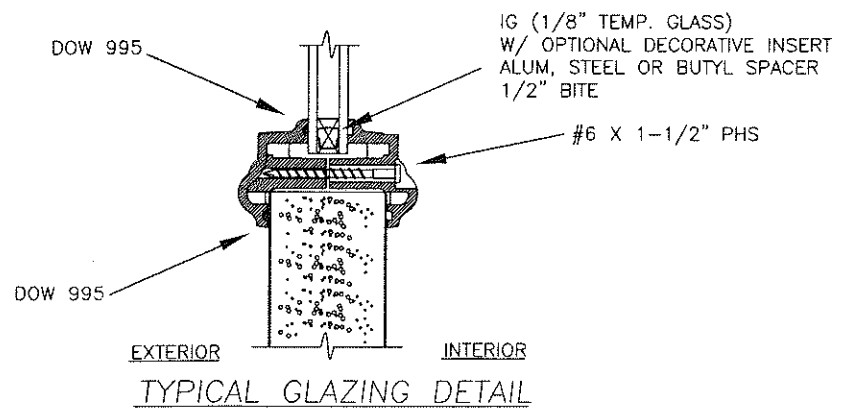
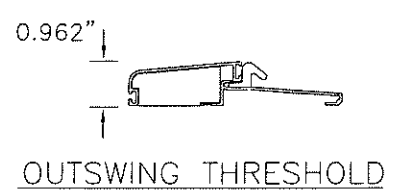
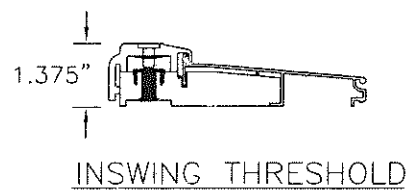
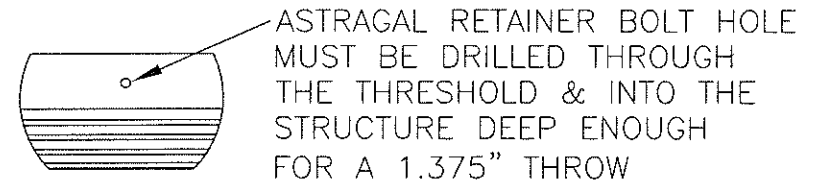
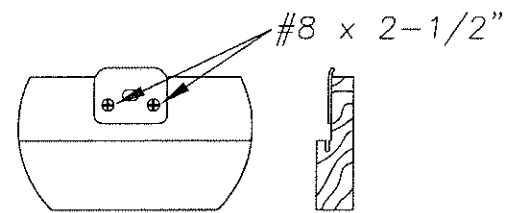
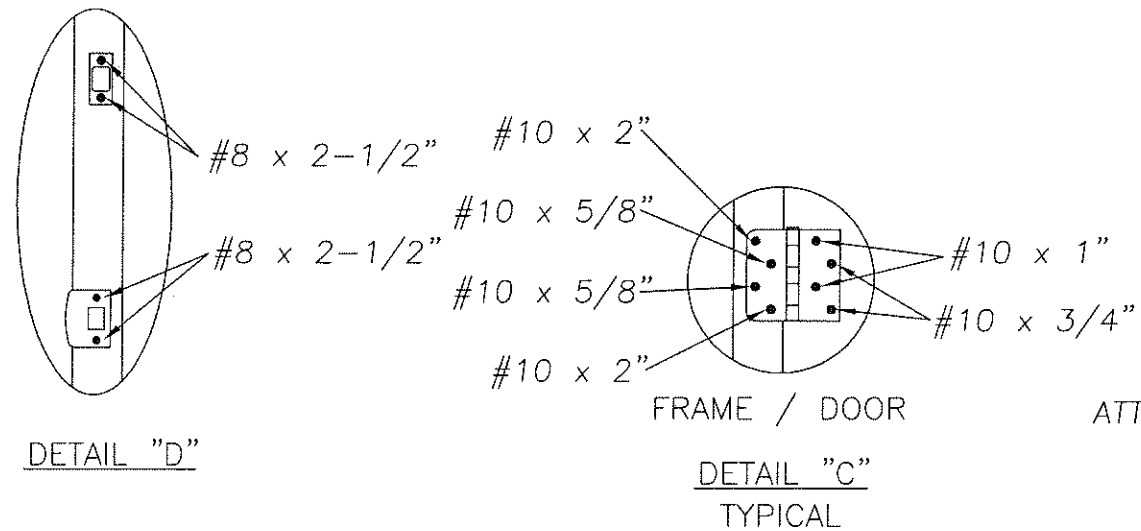
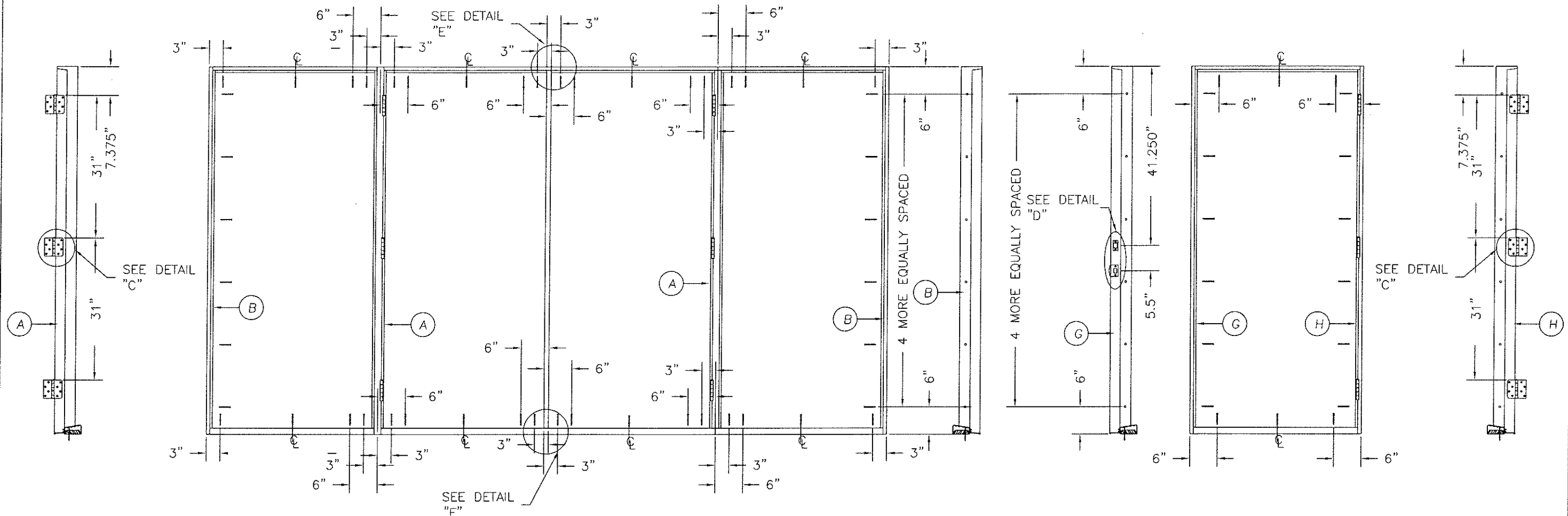
KURT BALTHAZOR  
FLORIDA P.E.  
#56533

NO.	DATE	REVISIONS			
		BY	LENGTH	SCREW	HINGE
E	9/19/11	SWS	DETAIL CLARIFICATION		
D	11/2/10	SWS	MISC UPDATES		
C	12/15/08	SWS	ADDED SPACER		
B	1/2/08	SWS	HINGE SCREW LENGTH		

DATE:	7/11/05
SCALE:	N.T.S.
DWG. BY:	SWS
CHK. BY:	
DRAWING NO.:	
DWG-MA-FL0128-05	
SHEET	1 OF 3

PRODUCT: "EXTERIOR DOOR PRODUCT"  
 DOUBLE 6'8" OPAQUE WOOD-EDGE STEEL DOOR  
 PART OR ASSEMBLY:  
 TYPICAL ELEVATIONS & GENERAL NOTES

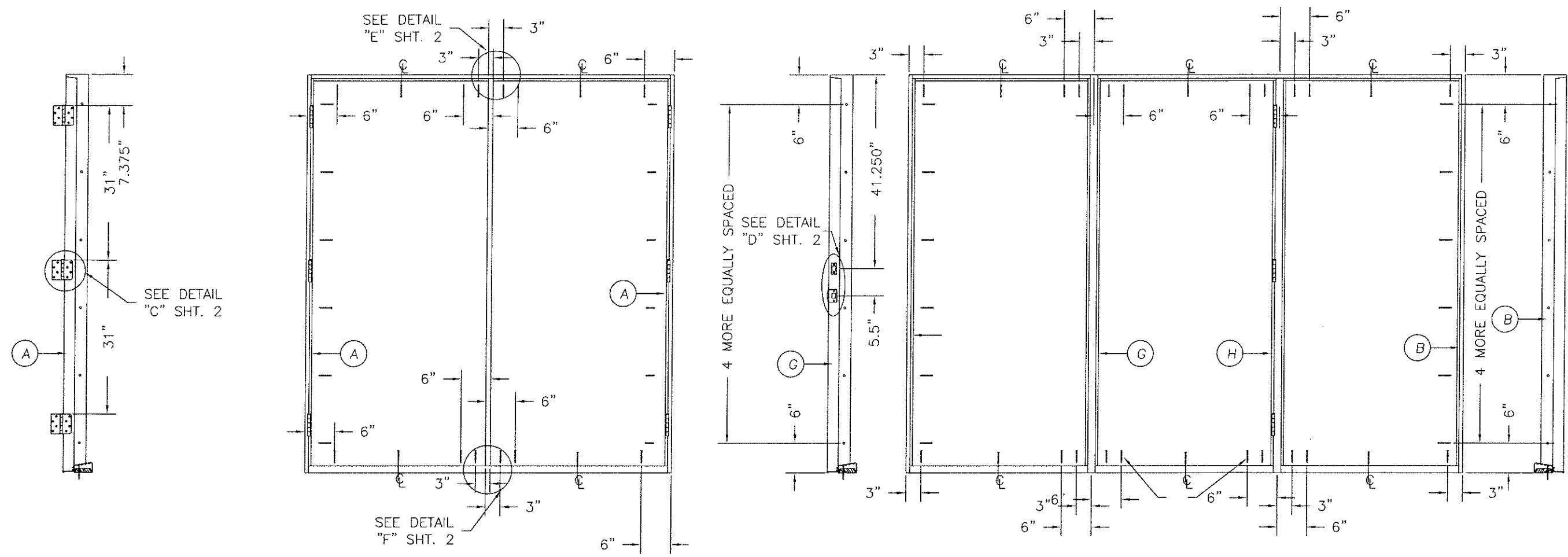
MASONITE INTERNATIONAL CORP.  
 1955 POWIS RD.  
 WEST CHICAGO, IL 60185



Addendum to NAMI  
 Certification No.: N1006110-R4  
 Reviewed By: [Signature]  
 Date Reviewed: 3/6/12

PRODUCT: "EXTERIOR DOOR PRODUCT" DOUBLE 6'-8" OPAQUE WOOD-EDGE STEEL DOOR		PART OR ASSEMBLY: ANCHORING LOCATIONS & DETAILS	
9/19/11	DETAIL CLARIFICATION	SWS	BY
11/2/10	MISC UPDATES	SWS	DATE
12/15/08	ADDED SPACER	SWS	NO.
1/2/08	HINGE SCREW LENGTH	SWS	REVISIONS
DATE: 7/11/05			
SCALE: N.T.S.			
DWG. BY: SWS			
CHK. BY:			
DRAWING NO.: DWG-MA-FL0128-05			
SHEET 2 OF 3			

MASONITE INTERNATIONAL CORP.  
 1955 POWIS RD.  
 WEST CHICAGO, IL 60185

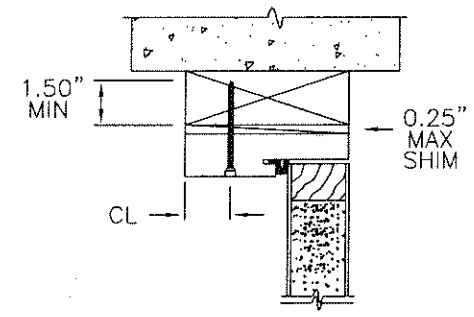


**ATTACHMENT DETAIL**

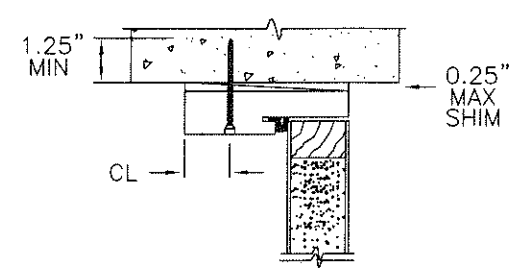
1. ANCHOR ANALYSIS FOR LOADING CONDITIONS PREPARED, SIGNED AND SEALED BY LUIS R. LOMAS, PE (FLORIDA #62514) WITH THE LOWEST (LEAST) FASTENER RATING FROM THE DIFFERENT FASTENERS BEING CONSIDERED FOR USE. JAMB, HEAD, AND THRESHOLD FASTENERS ANALYZED FOR THIS UNIT INCLUDE #10 WOOD SCREWS OR 3/16" TAPCONS. A PHYSICAL SHIM MUST BE PLACED IN SHIM SPACE AT EACH ANCHOR LOCATION. TAPCON EDGE DISTANCE MIN 2-1/2".
2. MULLIONS TO BE 2-1/2" X 4-3/8" STRUCTURAL GRADE FJ PINE ON CONTINUOUS HEAD AND SILL UNITS. BACK TO BACK JAMB UNITS JOINED WITH 1" X 1/2" LONG CORRUGATED FASTENERS LOCATED 3" FROM EACH END AND MAXIMUM 7" O.C. OR #10 X 2" FLAT HEAD WOOD SCREWS LOCATED 6" FROM EACH END AND MAXIMUM 12" O.C.
3. THE WOOD SCREW SINGLE SHEAR DESIGN VALUES COME FROM ANSI/AF&PA NDA FOR SOUTHERN PINE LUMBER AND ACHIEVEMENT OF 1-1/2" MINIMUM EMBEDMENT. THE TAPCON MUST ACHIEVE MINIMUM EMBEDMENT OF 1-1/4".
4. WOOD BUCKS BY OTHERS MUST BE ANCHORED PROPERLY TO TRANSFER LOADS TO STRUCTURE.
5. MINIMUM DESIGN VALUE STRENGTH OF ANCHORS 171 LBS.

**HARDWARE SCHEDULE**

1.	KWIKSET SERIES 400 GRADE 3 CYLINDRICAL LATCH AND SERIES 980 GRADE 1 DEADLOCK HARDWARE TO BE INSTALLED AT 5-1/2" CENTERLINE.
2.	4" X 4" FULL MORTISE BUTT HINGES



TYPICAL WOOD BUCK ANCHOR INSTALLATION



TYPICAL MASONRY ANCHOR INSTALLATION

Addendum to NAMI  
 Certification No.: N1006110-R4  
 Reviewed By: [Signature]  
 Date Reviewed: 3/4/12

PRODUCT: "EXTERIOR DOOR PRODUCT"  
 6'-8" WOOD-EDGE STEEL OPAQUE DOUBLE DOOR UNIT  
 PART OR ASSEMBLY: ANCHORING LOCATIONS & DETAILS

NO.	DATE	REVISIONS	BY
E	9/19/11	DETAIL CLARIFICATION	SWS
D	11/2/10	MISC UPDATES	SWS
C	12/15/08	ADDED SPACER	SWS
B	1/2/08	HINGE SCREW LENGTH	SWS

DATE: 7/11/05  
 SCALE: N.T.S.  
 DWG. BY: SWS  
 CHK. BY:  
 DRAWING NO.:  
 DWG-MA-FL0128-05  
 SHEET 3 OF 3