



**SIDE-HINGED FIBERGLASS DOOR UNIT  
6'-8" GLAZED DOUBLE DOOR WITH / WITHOUT SIDELITES**

**GENERAL NOTES**

- EVALUATED FOR USE IN LOCATIONS ADHERING TO THE FLORIDA BUILDING CODE AND WHERE PRESSURE REQUIREMENTS AS DETERMINED BY ASCE 7, MINIMUM DESIGN LOADS FOR BUILDINGS AND OTHER STRUCTURES, DOES NOT EXCEED THE DESIGN PRESSURES LISTED.
- WHEN INSTALLED IN THE HIGH VELOCITY HURRICANE ZONE (HVHZ), HURRICANE PROTECTIVE SYSTEM (SHUTTERS) IS REQUIRED.
- WHEN INSTALLED IN THE WIND-BORNE DEBRIS REGION, EXCLUDING THE HIGH VELOCITY HURRICANE ZONE (HVHZ), HURRICANE PROTECTIVE SYSTEM IS NOT REQUIRED ON PANELS WITH IMPACT GLASS, BUT IS REQUIRED ON PANELS WITH NON-IMPACT GLASS.

- POLYURETHANE CORE FLAME SPREAD INDEX OF 50 AND SMOKE DEVELOPED INDEX OF 60 PER ASTM E84. POLYSTYRENE CORE FLAME SPREAD INDEX OF 15 AND SMOKE DEVELOPED INDEX OF 115 PER ASTM E84.

**5. PLASTICS TESTING OF FIBERGLASS FACING:**

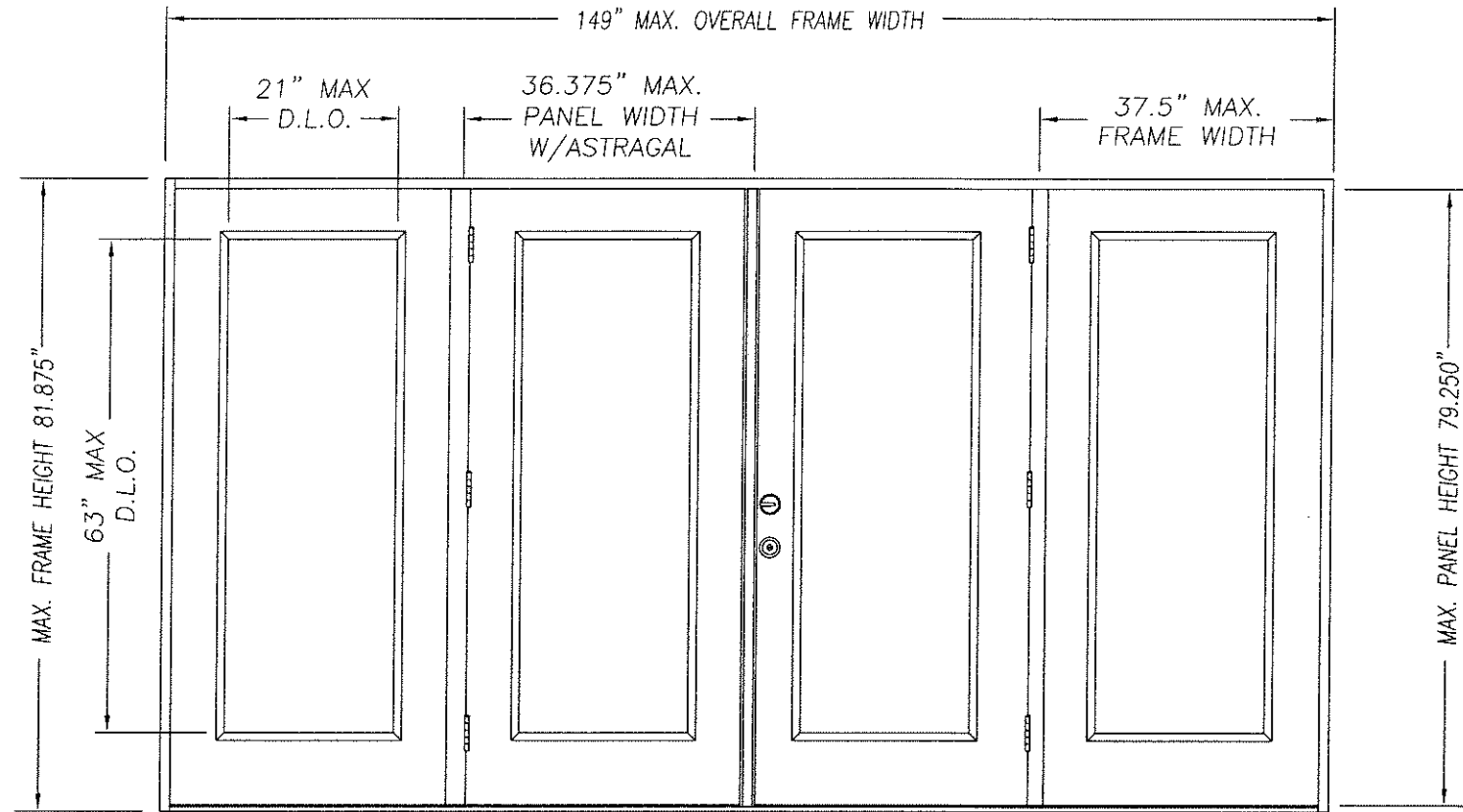
TEST DESCRIPTION	DESIGNATION	RESULT
SELF IGNITION TEMP	ASTM D1929	752 °F > 650 °F
RATE OF BURNING	ASTM D635	0.56 IN/MIN
SMOKE DENSITY	ASTM D2843	53.4%
TENSILE STRENGTH*	ASTM D638	3.2% DIFF

**6. PLASTICS TESTING OF LITE FRAME MATERIAL:**

TEST DESCRIPTION	DESIGNATION	RESULT
SELF IGNITION TEMP	ASTM D1929	740 °F > 650 °F
RATE OF BURNING	ASTM D635	0.77 IN/MIN
SMOKE DENSITY	ASTM D2843	13.4%
TENSILE STRENGTH*	ASTM D638	-7.50% DIFF

\* COMPARATIVE TENSILE STRENGTH AFTER WEATHERING  
4500 HOURS XENON ARC METHOD 1

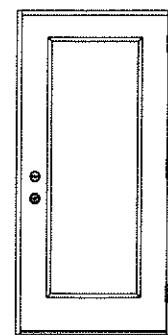
- IMPACT GLAZING LAMINATE MIAMI DADE BCCO NOA 09-0127.13.



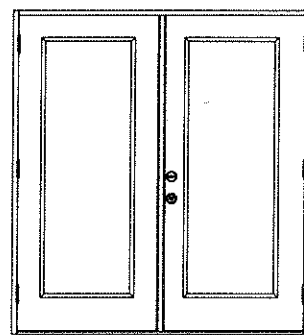
DOUBLE DOOR UNIT W/SIDELITES

Addendum to NAMI

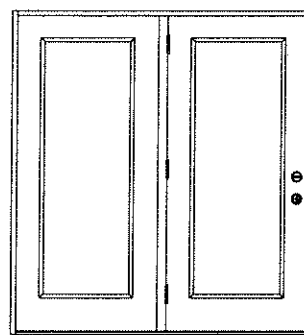
Certification No.: N1006900-121  
 Reviewed By: [Signature]  
 Date Reviewed: 9/7/11



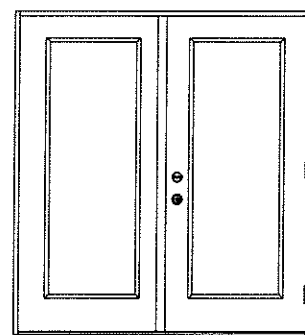
SINGLE DOOR UNIT



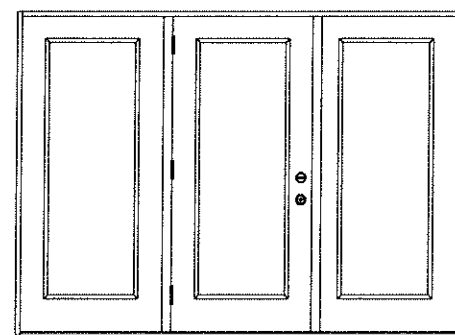
DOUBLE DOOR UNIT



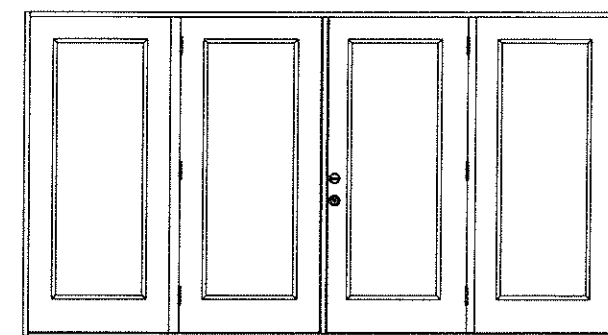
SINGLE DOOR UNIT WITH SIDELITE



SINGLE DOOR UNIT WITH SIDELITE



SINGLE DOOR UNIT W/SIDELITES



DOUBLE DOOR UNIT W/SIDELITES

**TABLE OF CONTENTS**

SHEET #	DESCRIPTION
1	TYPICAL ELEVATIONS & GENERAL NOTES
2	ANCHORING LOCATIONS & DETAILS
3	ANCHORING LOCATIONS & DETAILS

CONFIG	MAX WIDTH	DESIGN PRESSURE RATING		WHERE WATER INFILTRATION PERFORMANCE IS REQUIRED TO BE 15% OF DESIGN PRESSURE		
		INSWING	OUTSWING	INSWING	OUTSWING	OUTSWING*
X	37.5"	+52.0 / -52.0	+55.0 / -55.0	+19.0 / -19.0	+40.0 / -40.0	+55.0 / -55.0
XX	74"	+52.0 / -52.0	+55.0 / -55.0	+19.0 / -19.0	+40.0 / -40.0	+55.0 / -55.0
OX or XO	75"	+52.0 / -52.0	+55.0 / -55.0	+19.0 / -19.0	+40.0 / -40.0	+55.0 / -55.0
OXO	112.5"	+52.0 / -52.0	+55.0 / -55.0	+19.0 / -19.0	+40.0 / -40.0	+55.0 / -55.0
OXXO	149"	+52.0 / -52.0	+55.0 / -55.0	+19.0 / -19.0	+40.0 / -40.0	+55.0 / -55.0

\* High Dam Threshold Design

*Kurt Balthazor*

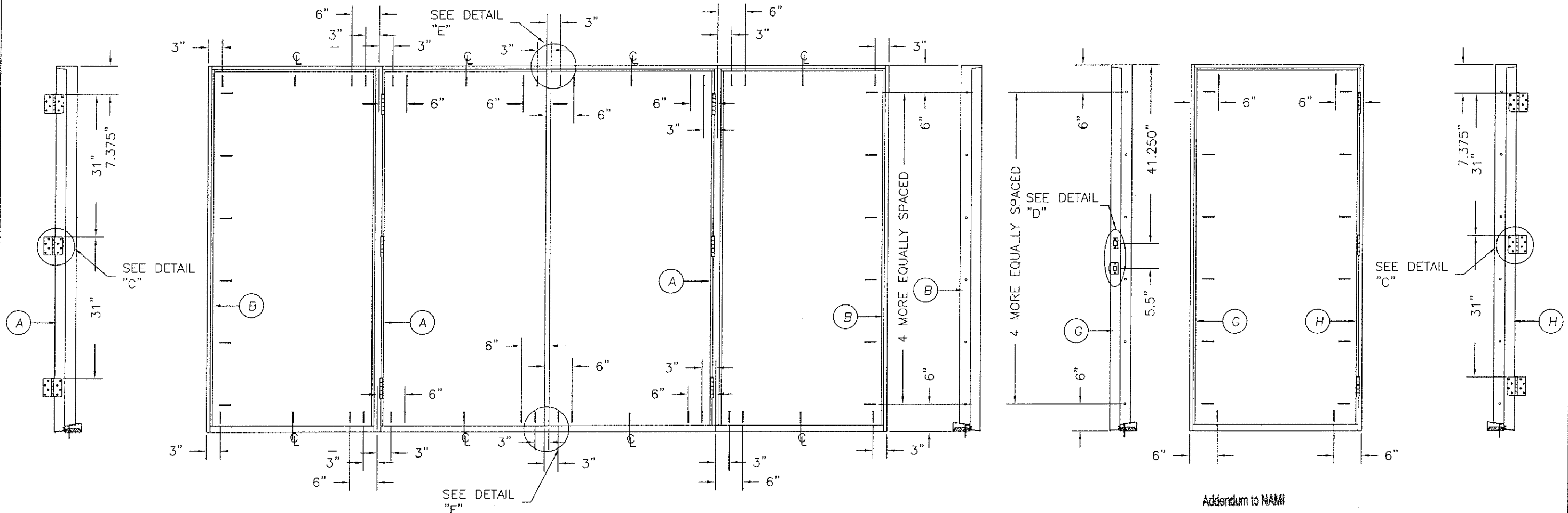
KURT BALTHAZOR  
FLORIDA P.E.  
#56533

MASONITE INTERNATIONAL CORP.  
1955 POWIS ROAD  
WEST CHICAGO, IL 60185

PRODUCT: "EXTERIOR DOOR PRODUCT"  
DOUBLE 6'8" GLAZED FIBERGLASS DOOR  
PART OR ASSEMBLY:  
TYPICAL ELEVATIONS & GENERAL NOTES

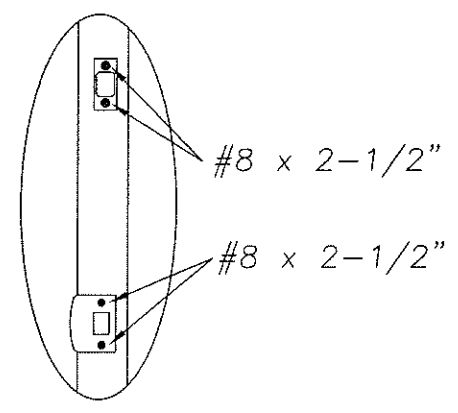
NO.	DATE	REVISIONS			
		DETAIL CLARIFICATION	SWS	MISC UPDATES	SWS
D	9/7/11				
C	11/2/10				
B	1/2/08	HINGE SCREW LENGTH	SWS		
A	4/9/07	UPDATED DP RATINGS	SWS		
					BY

DATE: 1/5/07  
 SCALE: N.T.S.  
 DWG. BY: SWS  
 CHK. BY:  
 DRAWING NO.:  
 DWG-MA-FL0162-07  
 SHEET 1 OF 3

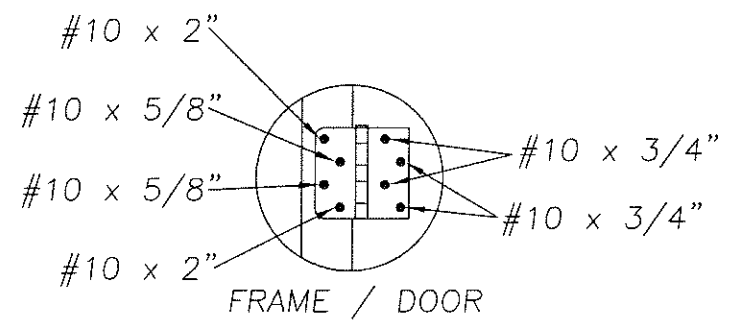


Addendum to NAMI

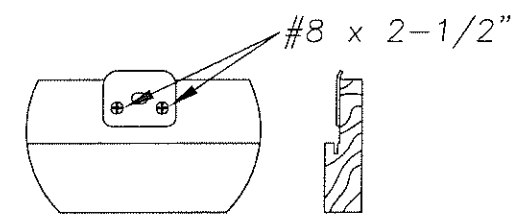
Certification No.: N1006909-121  
 Reviewed By: [Signature]  
 Date Reviewed: 10/22/11



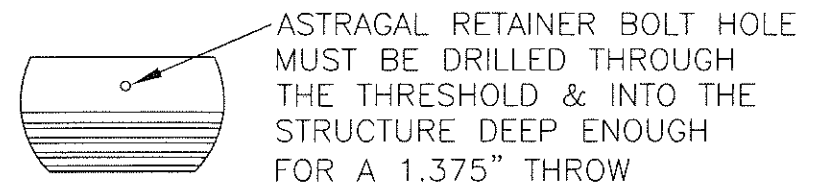
DETAIL "D"



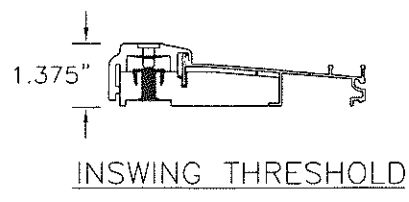
FRAME / DOOR  
 DETAIL "C"  
 TYPICAL



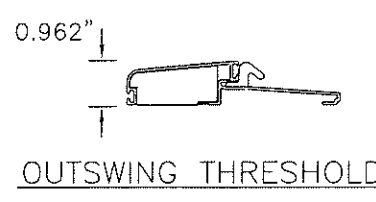
DETAIL "E" ASTRAGAL  
 ATTACH ASTRAGAL RETAINER BOLT STRIKE PLATE TO FRAME AS SHOWN.



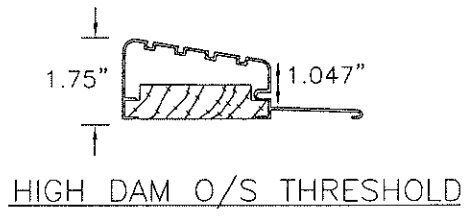
DETAIL "F" ASTRAGAL



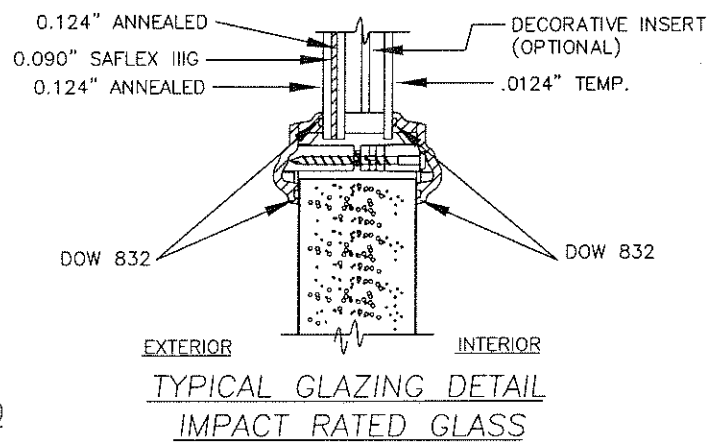
INSWING THRESHOLD



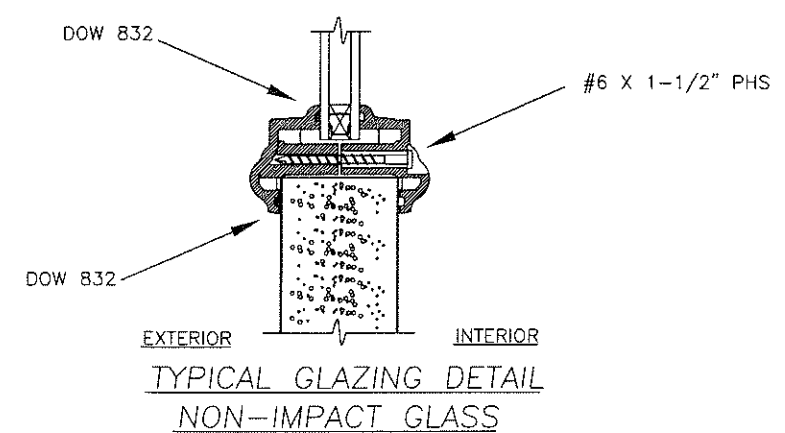
OUTSWING THRESHOLD



HIGH DAM O/S THRESHOLD



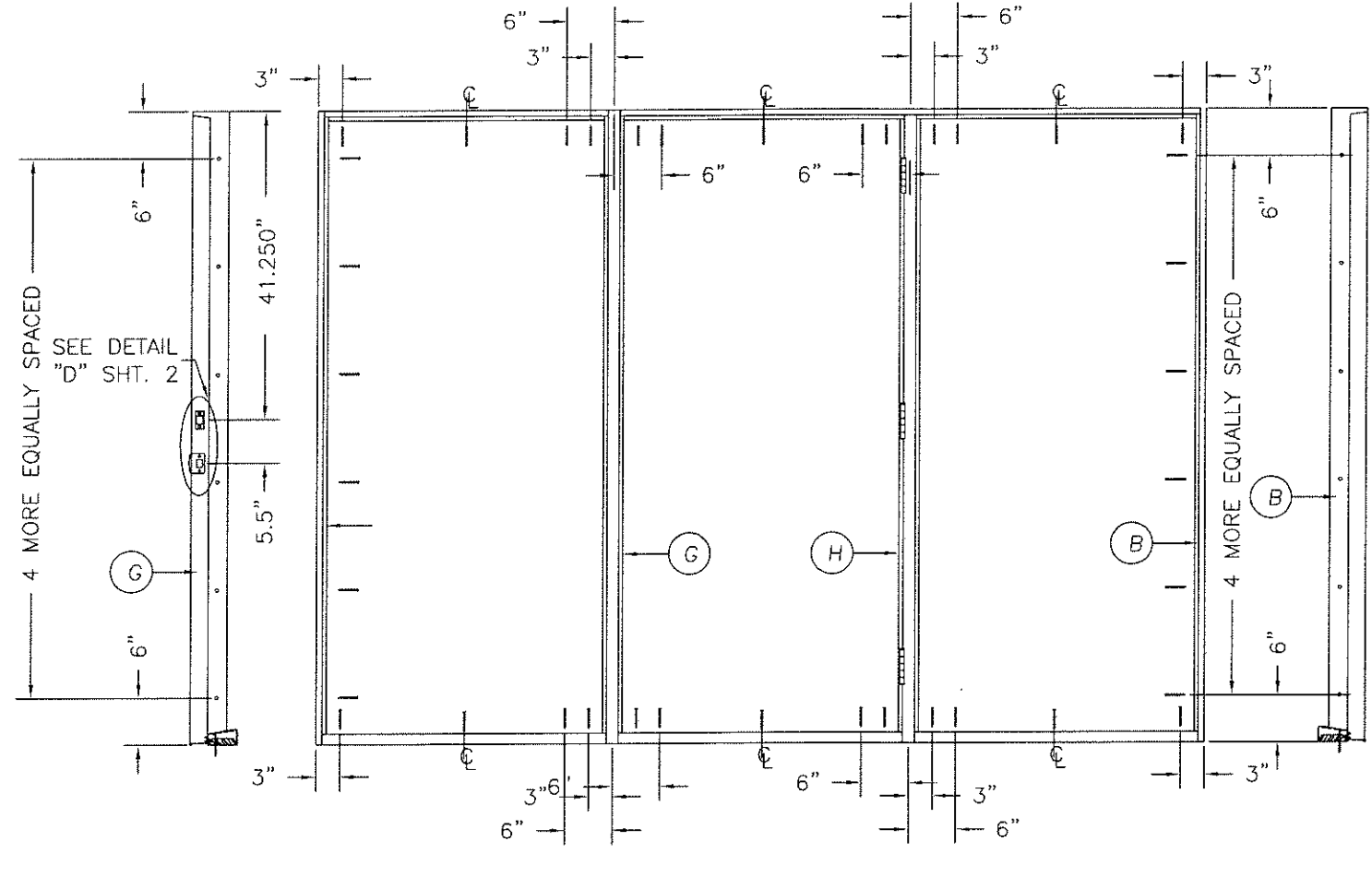
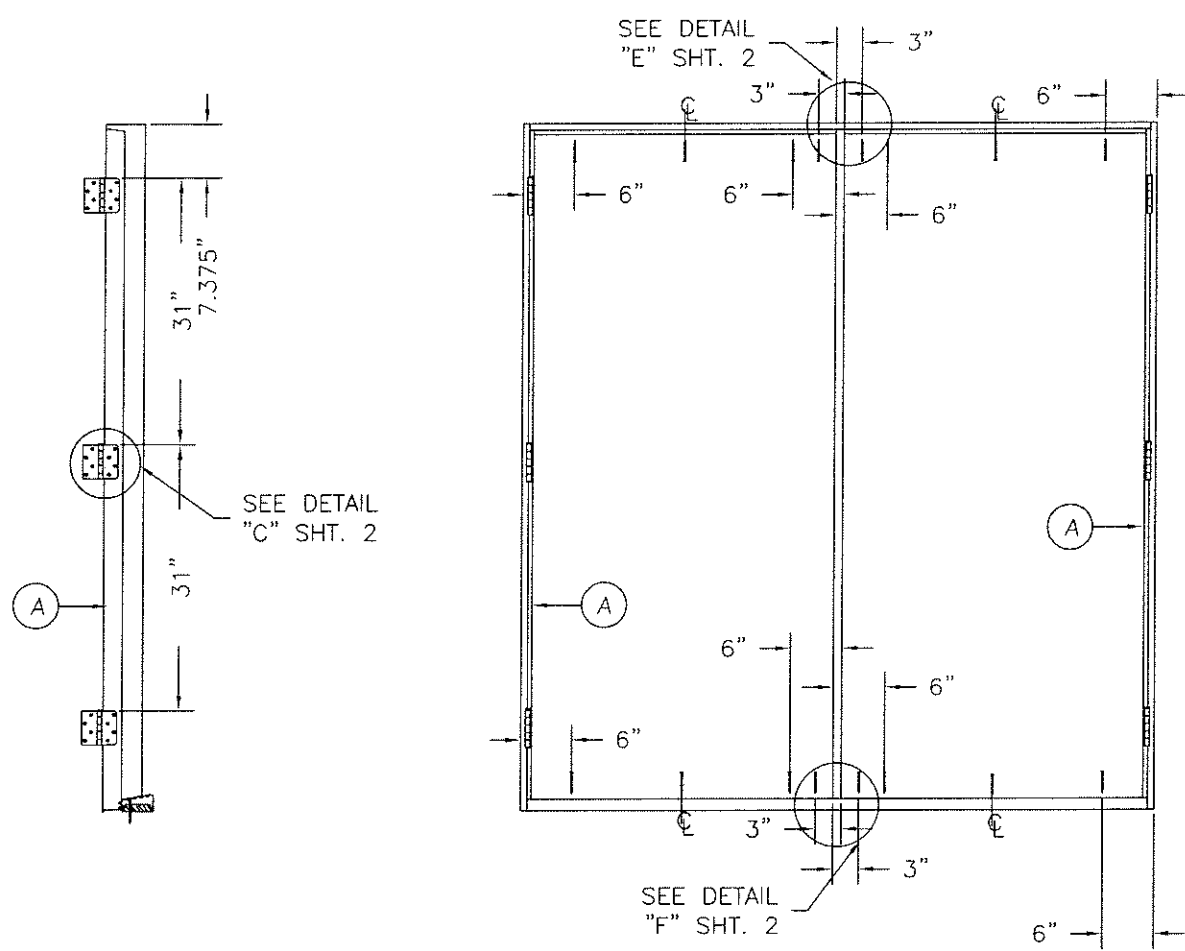
EXTERIOR INTERIOR  
 TYPICAL GLAZING DETAIL  
 IMPACT RATED GLASS



EXTERIOR INTERIOR  
 TYPICAL GLAZING DETAIL  
 NON-IMPACT GLASS

PRODUCT:		REVISIONS	
"EXTERIOR DOOR PRODUCT" 6'-8" FIBERGLASS GLAZED DOUBLE DOOR UNIT		9/7/11	DATE
PART OR ASSEMBLY: ANCHORING LOCATIONS & DETAILS		11/2/10	DATE
SWS	DETAIL CLARIFICATION	1/2/08	DATE
SWS	MISC UPDATES	4/9/07	DATE
SWS	HINGE SCREW LENGTH		
SWS	UPDATED DP RATINGS		
BY			

DATE: 1/5/07  
 SCALE: N.T.S.  
 DWG. BY: SWS  
 CHK. BY:  
 DRAWING NO.:  
 DWG-MA-FL0162-07  
 SHEET 2 OF 3

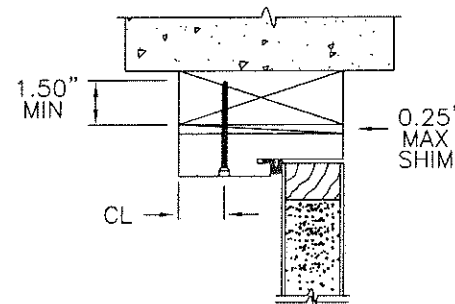


**ATTACHMENT DETAIL**

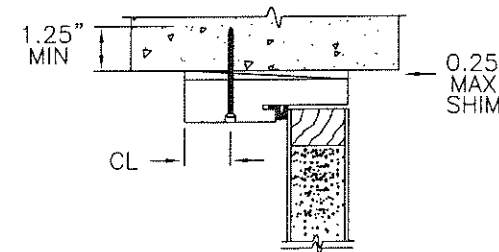
1. ANCHOR ANALYSIS FOR LOADING CONDITIONS PREPARED, SIGNED AND SEALED BY LUIS R. LOMAS, PE (FLORIDA #62514) WITH THE LOWEST (LEAST) FASTENER RATING FROM THE DIFFERENT FASTENERS BEING CONSIDERED FOR USE. JAMB, HEAD, AND THRESHOLD FASTENERS ANALYZED FOR THIS UNIT INCLUDE #10 WOOD SCREWS OR 3/16" TAPCONS. A PHYSICAL SHIM MUST BE PLACED IN SHIM SPACE AT EACH ANCHOR LOCATION. TAPCON EDGE DISTANCE MIN 2-5/8".
2. MULLIONS TO BE 2-1/2" X 4-3/8" STRUCTURAL GRADE FJ PINE ON CONTINUOUS HEAD AND SILL UNITS. BACK TO BACK JAMB UNITS JOINED WITH 1" X 1/2" LONG CORRUGATED FASTENERS LOCATED 3" FROM EACH END AND MAXIMUM 7" O.C. OR #10 X 2" FLAT HEAD WOOD SCREWS LOCATED 6" FROM EACH END AND MAXIMUM 12" O.C.
3. THE WOOD SCREW SINGLE SHEAR DESIGN VALUES COME FROM ANSI/AF&PA NDA FOR SOUTHERN PINE LUMBER AND ACHIEVEMENT OF 1-1/2" MINIMUM EMBEDMENT. THE TAPCON MUST ACHIEVE MINIMUM EMBEDMENT OF 1-1/4".
4. WOOD BUCKS BY OTHERS MUST BE ANCHORED PROPERLY TO TRANSFER LOADS TO STRUCTURE.
5. MINIMUM DESIGN VALUE STRENGTH OF ANCHORS 171 LBS.

**HARDWARE SCHEDULE**

1.	KWIKSET SERIES 400 GRADE 3 CYLINDRICAL LATCH AND SERIES 980 GRADE 1 DEADLOCK HARDWARE TO BE INSTALLED AT 5-1/2" CENTERLINE.
2.	4" X 4" FULL MORTISE BUTT HINGES.



TYPICAL WOOD BUCK ANCHOR INSTALLATION



TYPICAL MASONRY ANCHOR INSTALLATION

Addendum to NAMI  
 Certification No.: N1006900-121  
 Reviewed By: [Signature]  
 Date Reviewed: 10/22/11

<b>MASONITE INTERNATIONAL CORP.</b> 1955 POWIS ROAD WEST CHICAGO, IL 60185	
PRODUCT: "EXTERIOR DOOR PRODUCT" 6'-8" FIBERGLASS GLAZED DOUBLE DOOR UNIT	PART OR ASSEMBLY: ANCHORING LOCATIONS & DETAILS
9/7/11 11/2/10 1/2/08 4/9/07	SWS SWS SWS SWS
D C B A NO.	DETAIL CLARIFICATION MISC UPDATES HINGE SCREW LENGTH UPDATED DP RATINGS
DATE 1/5/07	REVISIONS
SCALE: N.T.S.	DWG. BY: SWS
DATE: 1/5/07	CHK. BY:
DRAWING NO.: DWG-MA-FL0162-07	SHEET <u>3</u> OF <u>3</u>